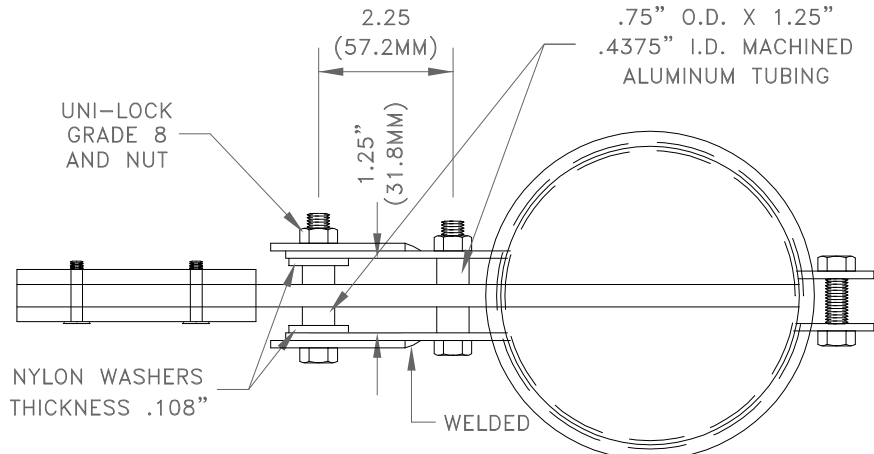




INDUSTRIAL SPARK RESISTANT STACK RELIEF DAMPER WRD-R



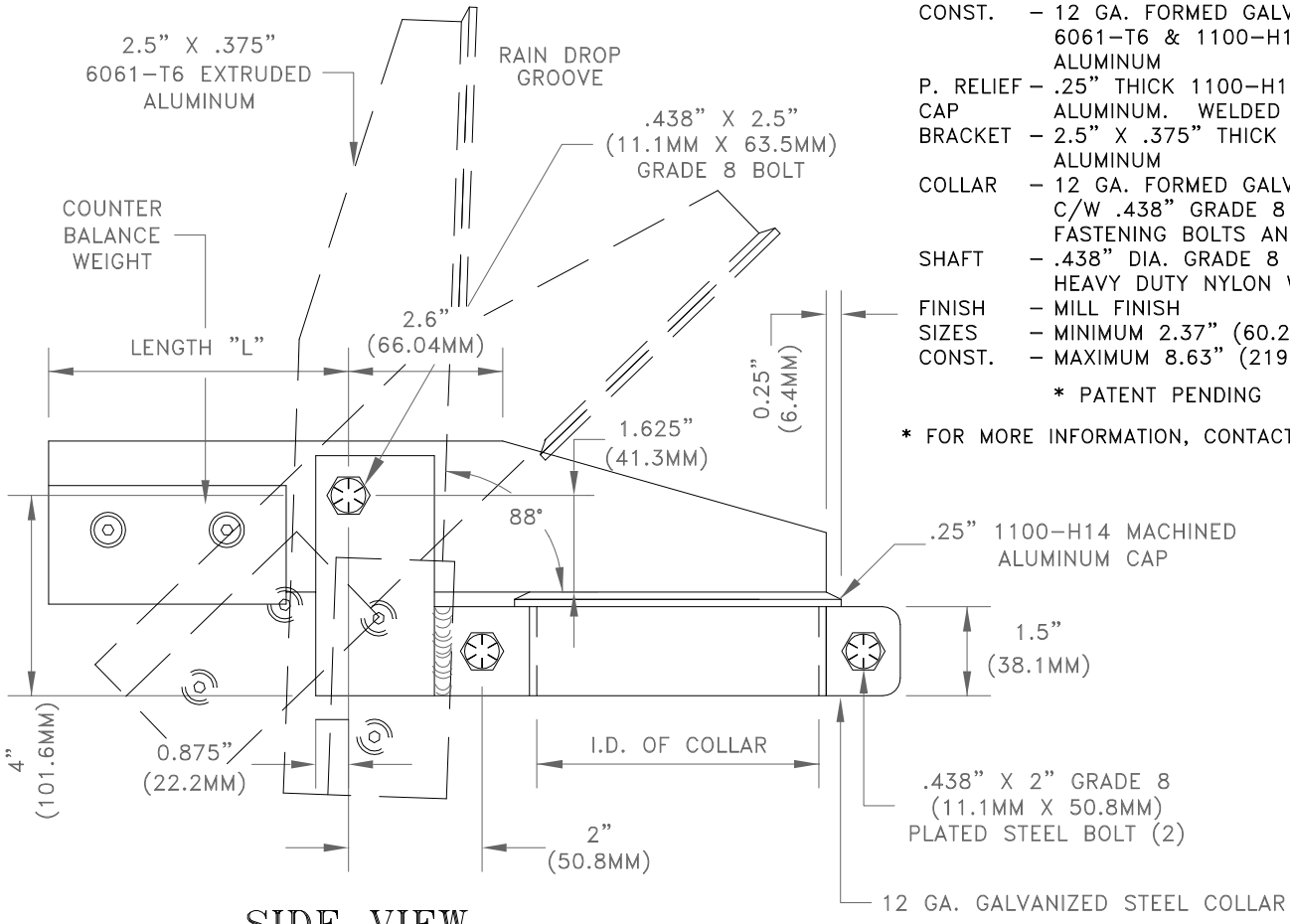
TOP VIEW

FEATURES

- CONST. - 12 GA. FORMED GALVANIZED STEEL, 6061-T6 & 1100-H14 MACHINED ALUMINUM
- P. RELIEF - .25" THICK 1100-H14 MACHINED ALUMINUM, WELDED ON TO BRACKET
- BRACKET - 2.5" X .375" THICK EXTRUDED ALUMINUM
- COLLAR - 12 GA. FORMED GALVANIZED STEEL C/W .438" GRADE 8 STEEL FASTENING BOLTS AND NUTS
- SHAFT - .438" DIA. GRADE 8 BOLTS C/W HEAVY DUTY NYLON WASHERS
- FINISH - MILL FINISH
- SIZES - MINIMUM 2.37" (60.2MM) DIA. CONST. - MAXIMUM 8.63" (219.2MM) DIA.

* PATENT PENDING

* FOR MORE INFORMATION, CONTACT OUR FACTORY *



SIDE VIEW

NOTES

APPROVAL

DATE:
PROJECT:
ENGINEER:
CUSTOMER:
DISTRIBUTOR:

WRD-R