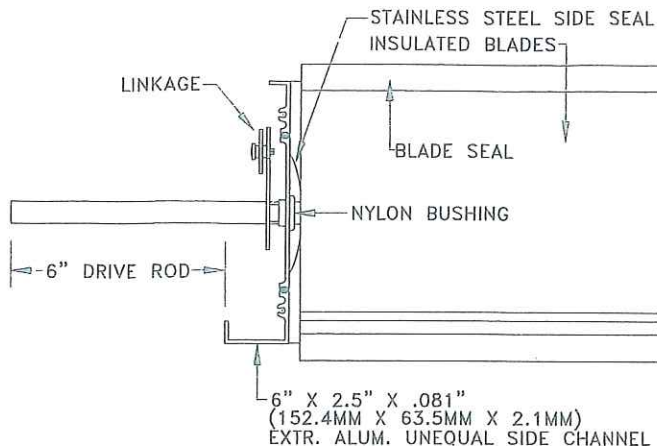
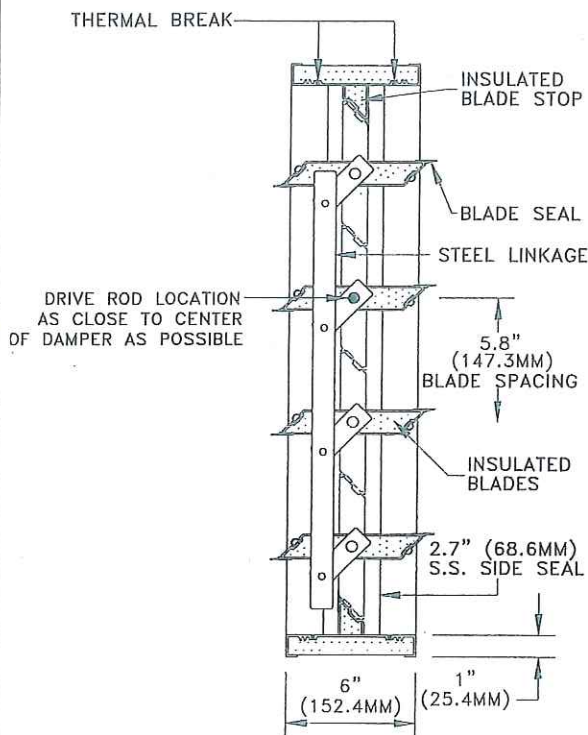




ALUMINUM INSULATED DAMPER INX-6C6-LSEC EXTREME COLD



HORIZONTAL SECTION DETAIL



SECTION
PARALLEL BLADE
(LINKAGE SHOWN)

STANDARD SPECIFICATIONS

- CONST. - 6063-T5 EXTRUDED ALUMINUM - INSULATED
- FRAME - 6" X 1" X .081 (152.4MM X 25.4MM X 2.1MM)
 - THERMALLY BROKEN WITH POLYURETHANE EXTRUSION
 - SCREWED BUTT CORNERS, MULLIONS AND SPREADER BARS ON ALL SECTIONS 48" (1219.2MM) AND LARGER
- BLADES - 6" X 1.16" X .076" (152.4MM X 29.5MM X 1.9MM)
 - EXTRUDED ALUMINUM BLADE C/W R6.5 FOAM INSUL.
 - 3MM THERMAL BREAK AROUND ALL
- SEALS - SANTOPRENE BLADE SEAL
 - 2.7" (68.6MM) S.S. SIDE SEALS
- SHAFTS - .5" (12.7MM) DIA. C.R. PLATED STEEL
- BEARINGS - .5" (12.7MM) NYLON BUSHINGS
- LINKAGE - .25" X 1" (6.35MM X 25.4MM) PLATED STEEL IN UNEQUAL SIDE CHANNEL
- DRIVE - .5" (12.7MM) DIA. C.R. PLATED STEEL EXTENDING 6" SHAFT (152.4MM) OUT OF FRAME
- FINISH - MILL ALUMINUM

OPTIONS

- SEALS - SANTOPRENE BULB: -50° F TO +250° F
- CONTROL - MOTORIZED

TECHNICAL NOTES

- MAX. RECOMMENDED VEL. - 4000 FPM
- MAX. SYSTEM PRESSURE - SEE CHART
- LEAKAGE - SEE PERFORMANCE CHART
- SHIPPING WEIGHT - APPROX. 6 LB/SQ. FT.
- LARGER SIZES - MULTIPLE SECTIONS WILL BE PROVIDED FOR RE-ASSEMBLY BY OTHERS

* FOR MORE INFORMATION, CONTACT OUR FACTORY *

NOTES

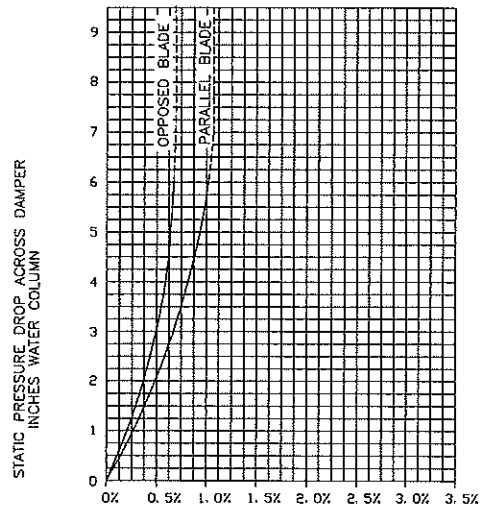
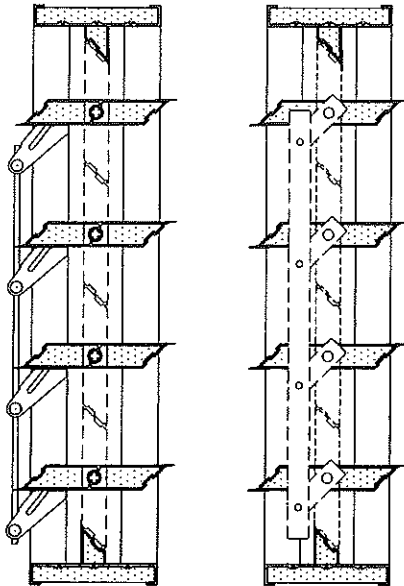
APPROVAL

DATE:
PROJECT:
ENGINEER:
CUSTOMER:
DISTRIBUTOR:

INX-6C6-LSEC

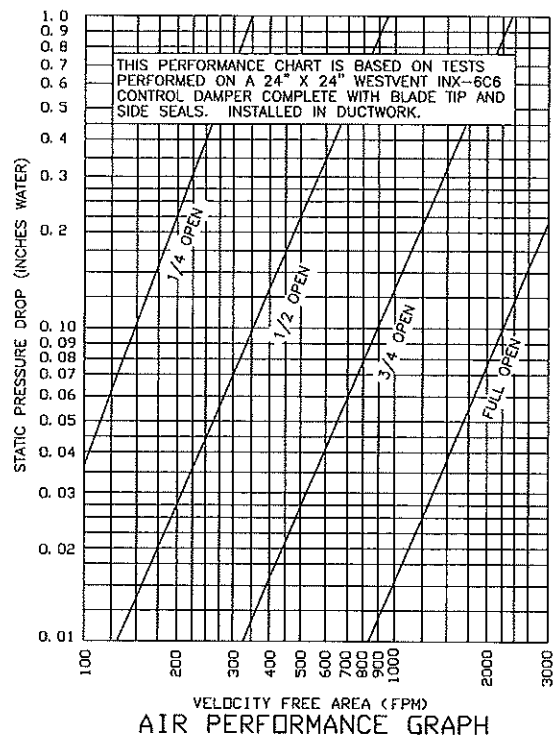
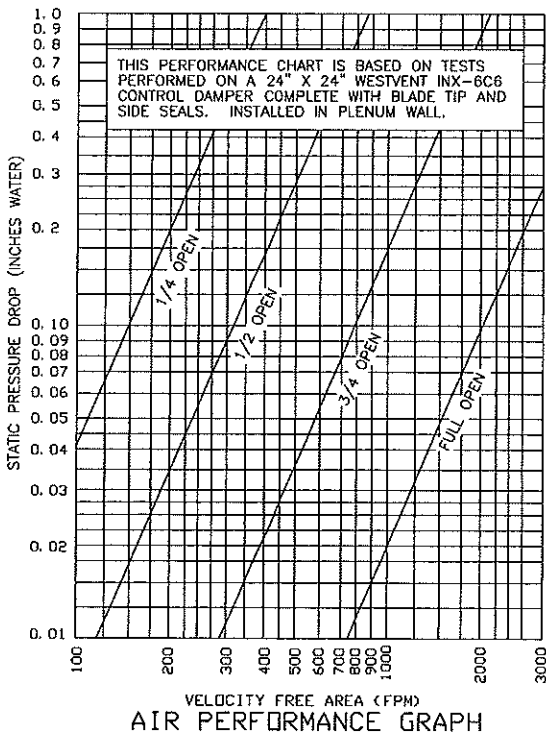


**COMMERCIAL ALUMINUM
INSULATED DAMPER
INX-6C6-LI & LS**



LEAKAGE - % MAXIMUM FLOW
AIR LEAKAGE CHART
STANDARD AIR - 0.075 LBS.

TORQUE REQUIREMENT CHART: INCH - LBS./SQ. FT.			
1000 F.P.M. @ 2" W.G.	1000 - 2000 F.P.M. @ 3" W.G. (X 1.5)	2000 - 3000 F.P.M. @ 4" W.G. (X 2.0)	
OPPOSED BLADE 5 IN. LBS./SQ. FT.	OPPOSED BLADE 7.5 IN. LBS./SQ. FT.	OPPOSED BLADE 10 IN. LBS./SQ. FT.	
PARALLEL BLADE 7 IN. LBS./SQ. FT.	PARALLEL BLADE 10.5 IN. LBS./SQ. FT.	PARALLEL BLADE 14 IN. LBS./SQ. FT.	
MAXIMUM SYSTEM PRESSURE			
12" WIDE 10" SP W.G.	24" WIDE 9" SP W.G.	36" WIDE 8" SP W.G.	48" WIDE 6" SP W.G.



THE INFORMATION CONTAINED ON THIS DATA SHEET REMAINS THE PROPERTY OF WESTERN VENTILATION PRODUCTS LTD. AND IS PROTECTED BY COPYRIGHT. WESTVENT AIR PERFORMANCE RATINGS SHOWN ARE BASED ON TESTS MADE BY TECHNICIANS IN OUR TEST LABORATORY.

INS-6C6-S