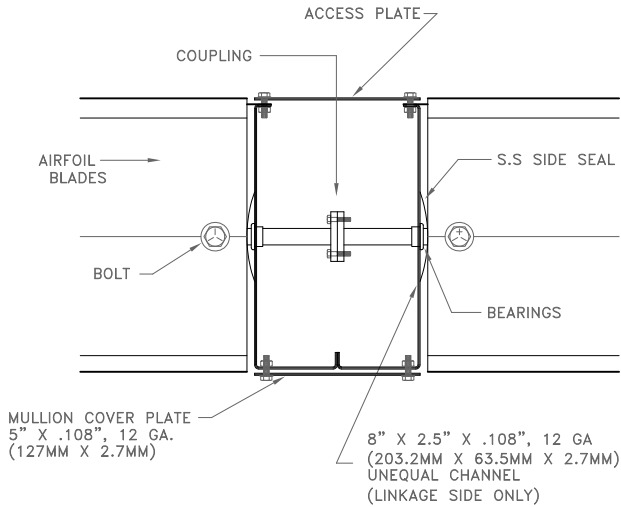


MULTIPLE SECTION
1: 2 FROM DRAWING BELOW

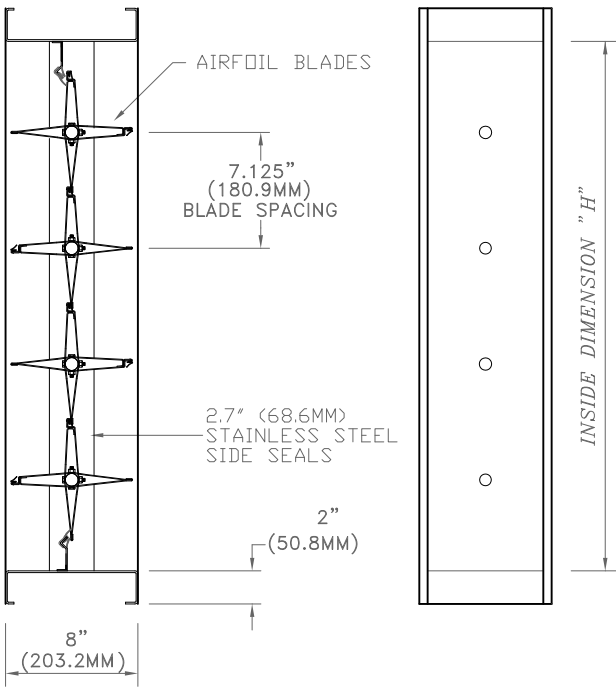


INDUSTRIAL LOW LEAKAGE DAMPER AFS-8C8



STANDARD SPECIFICATIONS

- CONST. - FORMED GALVANIZED STEEL. WELDS COATED WITH ZINC RICH PAINT
- FRAME - 8" X 2" X .108", 12 GA. (203.2MM X 50.8MM X 2.8MM) GALVANIZED STEEL CHANNEL
- BLADES - 7.5" X .75" X .064", 16 GA. (190.5MM X 19.1MM X 1.61MM) GALVANIZED AIRFOIL, 2 PIECES
- SEALS - DUAL DUROMETER VINYL BLADE SEAL, -40 DEG. F. TO +200 DEG. F., S.S. SIDE SEALS
- SHAFTS - .75" (19.1MM) DIA. CONTINUOUS C.R. PLATED STEEL
- BEARINGS - .75" (19.1MM) PRESSED IN BALL BEARINGS
- LINKAGE - OUTSIDE AIRSTREAM, 1.5" X .25" (38.1MM X 6.4MM) PLATED STEEL LINKAGE
- DRIVE SHAFT - .75" (19.1MM) DIA. CONTINUOUS C.R. PLATED STEEL
- FINISH - MILL GALVANIZED STEEL
- SIZE - MINIMUM 12" W X 12" H (304.8MM X 304.8MM)
- MAXIMUM 48" W X 96" H (1219.2MM X 2438.4MM)



OPTIONS

- BEARINGS - STAINLESS STEEL BUSHINGS, NYLON BUSHINGS, 2 BOLT FLANGE SELF ALIGNING
- JACK SHAFTS - SEE SIZING CHARTS
- CONTROL - MANUAL, JACK SHAFTS, MOTORIZED, ETC.

TECHNICAL NOTES

- MAX. RECOMMENDED VEL. - 5000 FPM
- SHIPPING WEIGHT - APPROX. 12 LB/SQ. FT.
- LARGER SIZES - MULTIPLE SECTIONS WILL BE PROVIDED FOR RE-ASSEMBLY BY OTHERS

DAMPER IS AVAILABLE IN OPPOSED BLADE AND PARALLEL BLADE ORIENTATION (OPPOSED BLADE IS SHOWN)

INDUSTRIAL DAMPERS ARE MANUFACTURED TO INSIDE DIMENSIONS UNLESS OTHERWISE STATED

* FOR MORE INFORMATION, CONTACT OUR FACTORY *

NOTES

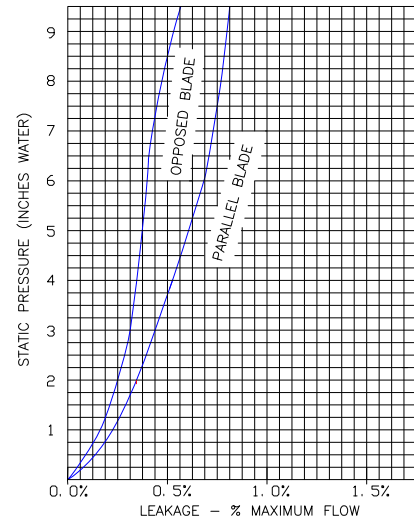
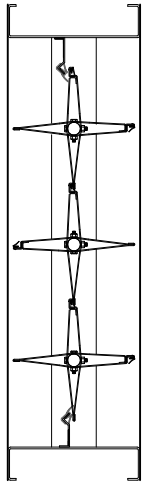
APPROVAL

DATE:
PROJECT:
ENGINEER:
CUSTOMER:
DISTRIBUTOR:

AFS-8C8-D

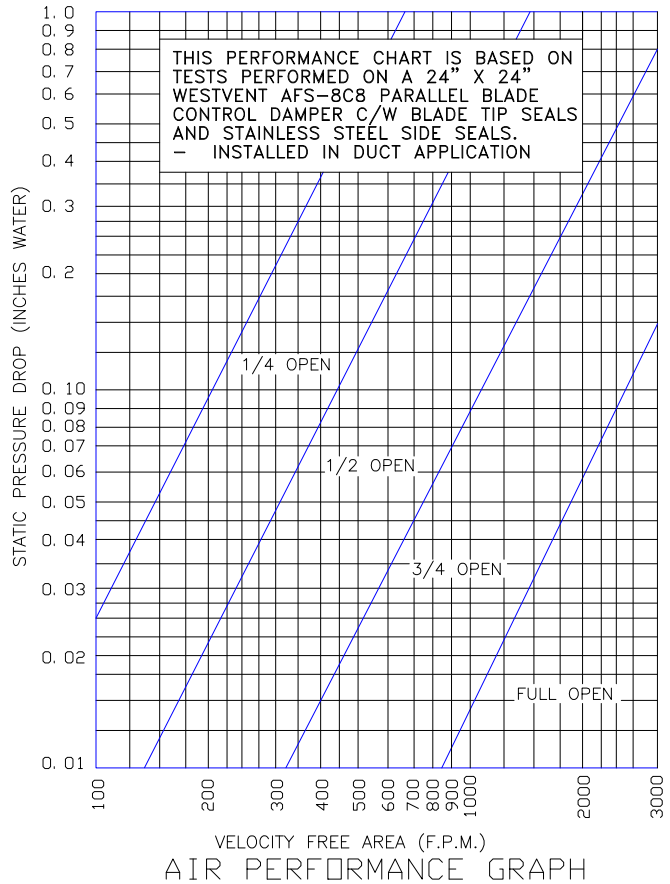
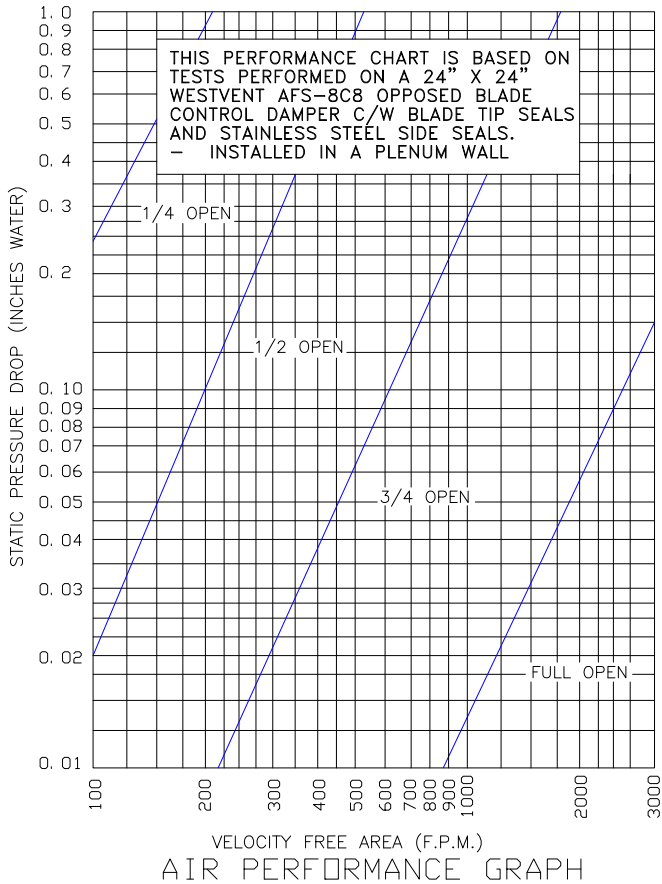


INDUSTRIAL LOW LEAKAGE DAMPER AFS-8C8



TORQUE REQUIREMENT CHART: INCH - LBS./SQ. FT.		
1000 F.P.M. @ 2" W.G.	1000 - 2000 F.P.M. @ 3" W.G. (X 1.5)	2000 - 3000 F.P.M. @ 4" W.G. (X 2.0)
OPPOSED BLADE 5 IN. LBS./SQ. FT.	OPPOSED BLADE 7.5 IN. LBS./SQ. FT.	OPPOSED BLADE 10 IN. LBS./SQ. FT.
PARALLEL BLADE 7 IN. LBS./SQ. FT.	PARALLEL BLADE 10.5 IN. LBS./SQ. FT.	PARALLEL BLADE 14 IN. LBS./SQ. FT.

MAXIMUM SYSTEM PRESSURE			
12" WIDE 18" SP W.G.	24" WIDE 16" SP W.G.	36" WIDE 14" SP W.G.	48" WIDE 12" SP W.G.



THE INFORMATION CONTAINED ON THIS DATA SHEET REMAINS THE PROPERTY OF WESTERN VENTILATION PRODUCTS LTD. AND IS PROTECTED BY COPYRIGHT. WESTVENT AIR PERFORMANCE RATINGS SHOWN ARE BASED ON TESTS MADE BY TECHNICIANS IN OUR TEST LABORATORY.

AFS-8C8-S