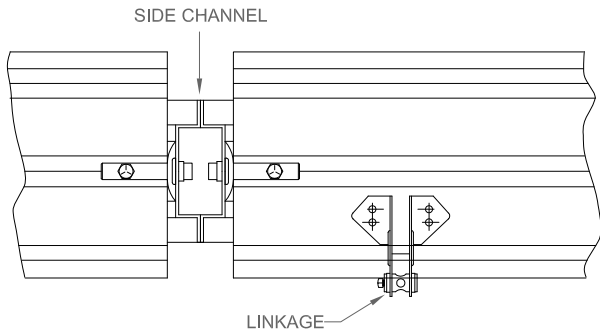




STEEL PARALLEL BLADE DAMPER PBS-4L6



MULTIPLE SECTION DETAIL

STANDARD SPECIFICATIONS

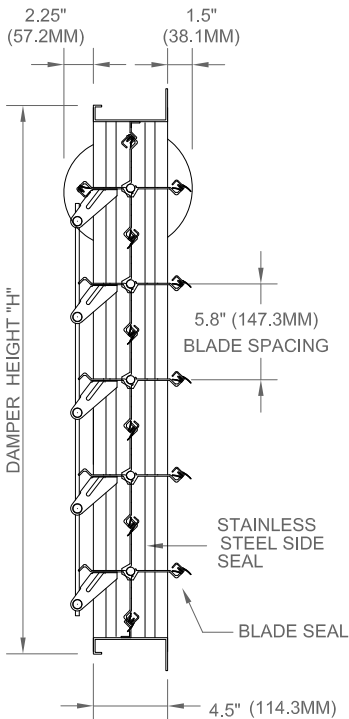
- CONST. - FORMED GALVANIZED STEEL. WELDS COATED WITH ZINC RICH PAINT
- FRAME - 4.5" X .75" X 2" X .108", 12 GA. (108MM X 19.1MM X 2.8MM) GALVANIZED STEEL FLANGE FRAME
- BLADES - 6" X .064", 16 GA. (152.4MM X 1.61MM FORMED GALV. STEEL 5.8" (147.3MM) BLADE SPACING
- SEALS - DUAL DUROMETER VINYL BLADE SEAL, -40 DEG. F. TO +200 DEG. F., S.S. SIDE SEALS
- SHAFTS - .5" (12.7MM) DIA. C.R. PLATED STEEL
- BEARINGS - .5" (12.7MM) OILITE BRONZE BUSHINGS
- LINKAGE - IN AIRSTREAM, ROD TRAVEL 5.25" (133.4MM)
- DRIVE-SHAFT - .5" (12.7MM) DIA. C.R. PLATED STEEL EXTENDING 6" (154.4MM OUT OF FRAME)
- FINISH - MILL GALVANIZED STEEL
- SIZE - MINIMUM 8" W X 8" H (203.2MM X 203.2MM)
MAXIMUM 48" W X 72" H (1219.2MM X 1828.8MM)

OPTIONS

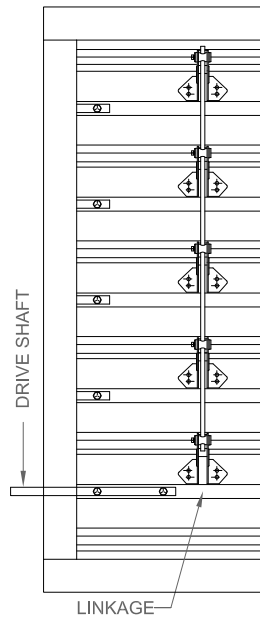
- BEARINGS - .5" (12.7MM) NYLON BUSHINGS
.5" (12.7MM) BALL BEARING ("C" CHANNEL ONLY)
- CONTROL - MANUAL, JACK SHAFTS, MOTORIZED

TECHNICAL NOTES

- CAUTION - ADVISE ON TYPE OF APPLICATION
- MAX. RECOMMENDED VEL. - 2000 FPM
- MAX. SYSTEM PRESSURE - SEE CHART
- MAXIMUM TEMP. - 200° F.
- LEAKAGE - LESS THAN .5% AT 4" W.G.
- SHIPPING WEIGHT - APPROX. 6 LB/SQ. FT.
- LARGER SIZES - MULTIPLE SECTIONS WILL BE PROVIDED FOR RE-ASSEMBLY BY OTHERS



SECTION



ELEVATION

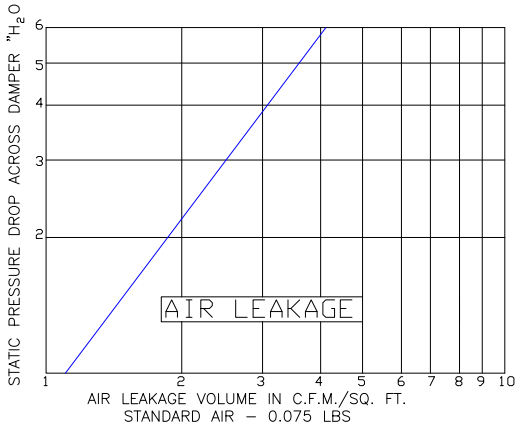
DAMPER IS MANUFACTURED .25" (6.4MM) SMALLER THAN ORDERED SIZE UNLESS EXACT DIMENSIONS ARE STATED

NOTES

APPROVAL

DATE:
PROJECT:
ENGINEER:
CUSTOMER:
DISTRIBUTOR:

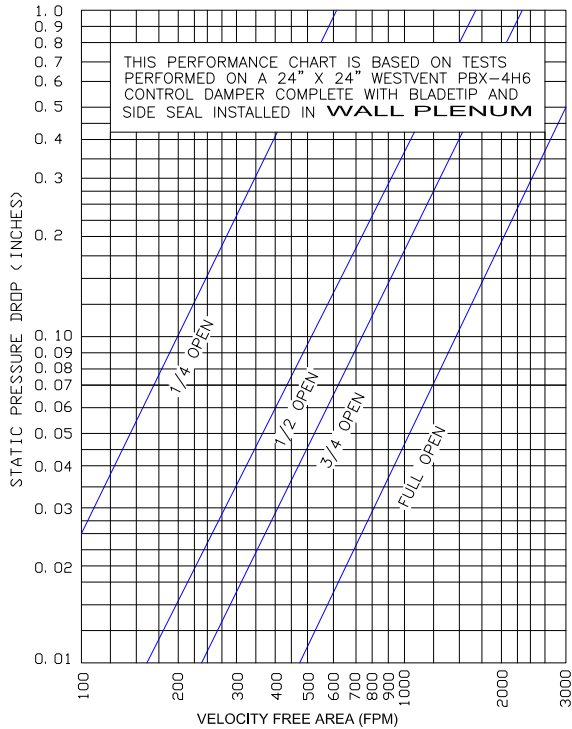
STEEL PARALLEL BLADE DAMPER PBS-4L6



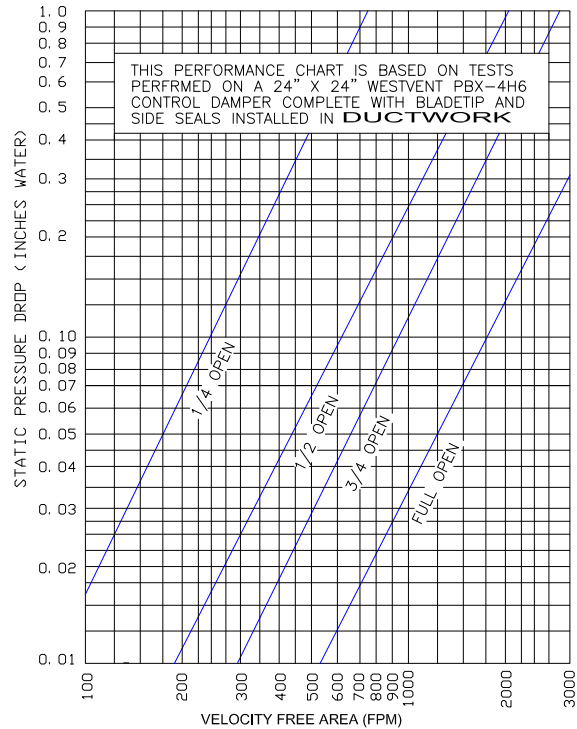
| TORQUE REQUIREMENT CHART: INCH - LBS./SQ. FT. | | |
|---|---|---|
| 1000 F.P.M. @ 2" W.G. | 1000 - 2000 F.P.M. @ 3" W.G. (X 1.5) | 1000 - 2000 F.P.M. @ 4" W.G. (X 2.0) |
| 7 IN. LBS./SQ. FT. | 10.5 IN. LBS./SQ. FT | 14 IN. LBS./SQ. FT |

| MAXIMUM SYSTEM PRESSURE | | | |
|-------------------------|------------------------|------------------------|--------------------------|
| 12" WIDE 4" SP W.G. | 24" WIDE 4" SP W.G. | 36" WIDE 3" SP W.G. | 48" WIDE 2.5" SP W.G. |

AIR PERFORMANCE



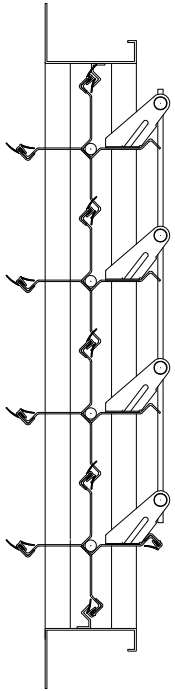
AIR PERFORMANCE



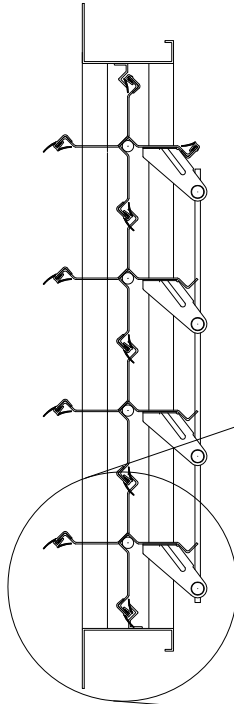
THE INFORMATION CONTAINED ON THIS DATA SHEET REMAINS THE PROPERTY OF WESTERN VENTILATION PRODUCTS LTD. AND IS PROTECTED BY COPYRIGHT. WESTVENT AIR PERFORMANCE RATINGS SHOWN ARE BASED ON TESTS MADE BY TECHNICIANS IN OUR TEST LABORATORY.

"WESTVENT" RESERVES THE RIGHT TO MAKE CHANGES TO IMPROVE OUR PRODUCTS WITHOUT NOTICE. NOVEMBER 15, 2005

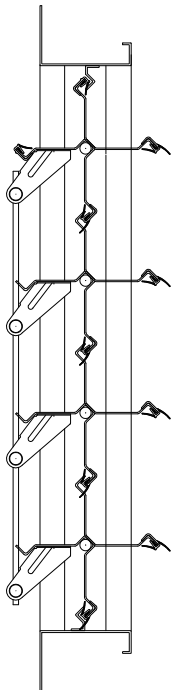
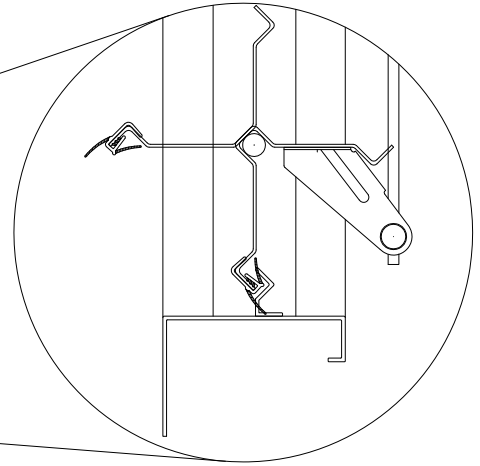
PBS-4L6 CONFIGURATIONS



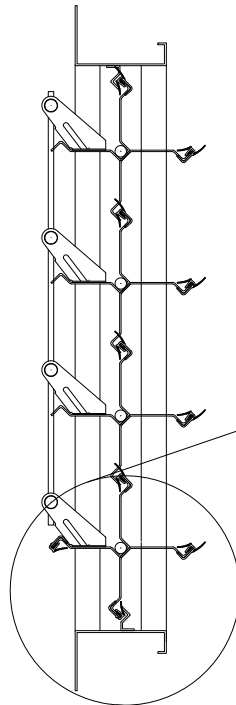
STYLE #1
- LINKAGE ON BACK
- BLADES FALL CLOSED



STYLE #2
- LINKAGE ON BACK
- BLADES FALL OPEN



STYLE #3
- LINKAGE ON FRONT
- BLADES FALL OPEN



STYLE #4
- LINKAGE ON FRONT
- BLADES FALL CLOSED

