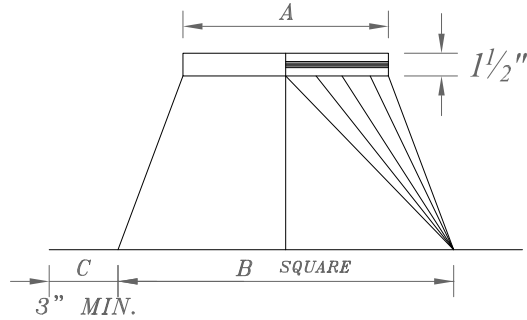


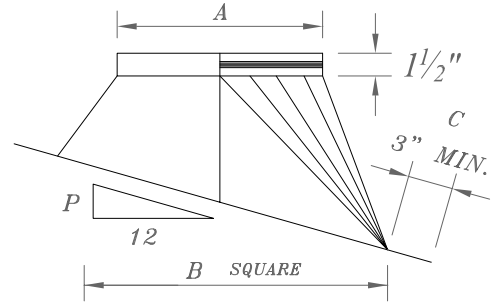


NOTE: ALL CORNERS **MUST** BE FILLED  
 ALL SEAMS **MUST** BE SEALED  
 ALL GAUGES AS PER SMACNA

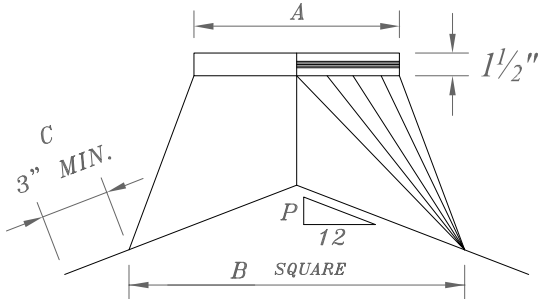
## SQUARE TO ROUND ROOF FLASHING



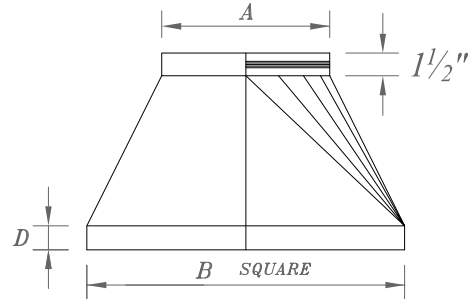
*TYPE NO. 1*



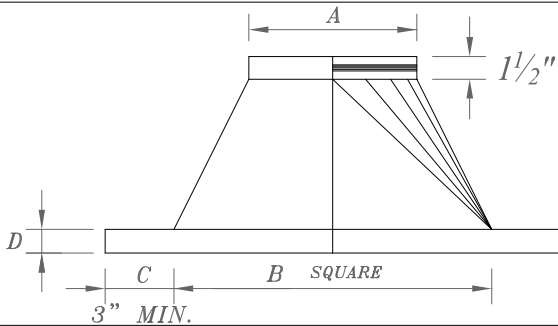
*TYPE NO. 2*



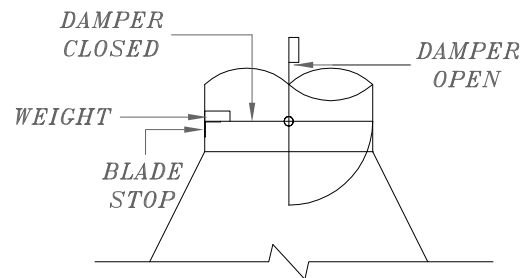
*TYPE NO. 3*



*TYPE NO. 4*



*TYPE NO. 5*



*TYPE NO. 6*

QUAN.	A	B	C MINIMUM	D	P	TYPE	MATERIAL
			3"	1 1/2"			
			3"	1 1/2"			
			3"	1 1/2"			
			3"	1 1/2"			
			3"	1 1/2"			
			3"	1 1/2"			

SQ-RD-FL 1