

HORIZONTAL SECTION



ALUMINUM
ACOUSTIC LOUVER
AC-1245-AC ACF-1245-AC

STANDARD SPECIFICATIONS

- CONST. - FORMED ALUMINUM, WELDED ASSEMBLY
- FRAME - 12" X 2" X .081" (304.8MM X 50.8MM X 2.1MM) CHANNEL, BUTT CORNERS
- BLADES - FACE: 12" X .081" (304.8MM X 2.1MM) SET AT 45°, 12" (304.8MM) SPACING
- BACK: .032" (.81MM) PERFORATED METAL WITH .125" (3.2MM) DIA. HOLES ON .219" (5.6MM) STAGGERED CENTERS
- ACOUSTIC MATERIAL - 8 LB DENSITY MINERAL WOOL
- SCREEN - .5" X .5", 18 GAUGE (12.7MM X 12.7MM) GALVANIZED, SCREW FASTENED
- FINISH - MILL ALUMINUM
- SIZE - MINIMUM 16" W X 20" H (406.4MM X 508MM)
- MAXIMUM SECTION WIDTH 72" (1828.8MM)
- MAXIMUM SECTION HEIGHT 120" (3048MM)
- MAXIMUM SECTION SIZE 60 SQ. FT.

OPTIONS

- FRAME - ACF-ADD FLANGE FRAME 2" (50.8MM) USING A 4" X .125" (101.6MM X 3.2MM) FLAT BAR
- SCREEN FINISH - AS PER REQUEST
- BAKED ENAMEL AND OTHERS

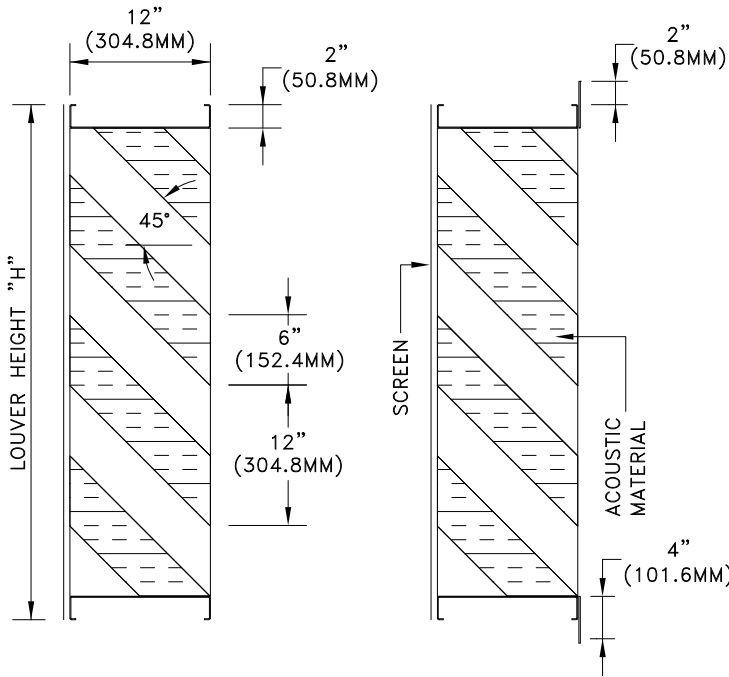
FREE AREA CHARTS AVAILABLE UPON REQUEST

TECHNICAL NOTES

- MAX. REC. INTAKE VEL. - 1000 FPM THROUGH FREE AREA
- SHIPPING WEIGHT - APPROX. 10 LBS/SQ. FT.

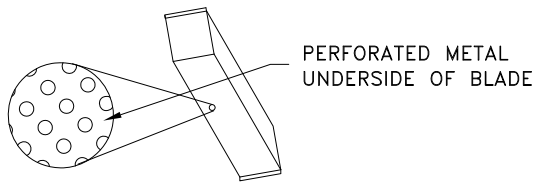
LOUVERS ARE MANUFACTURED .5" (12.7MM) SMALLER THAN ORDERED SIZE UNLESS EXACT DIMENSIONS ARE STATED.

* FOR MORE INFORMATION, CONTACT OUR FACTORY *



AC-1245-AC
VERTICAL SECTION

ACF-1245-AC
VERTICAL SECTION



BLADE SECTION

NOTES

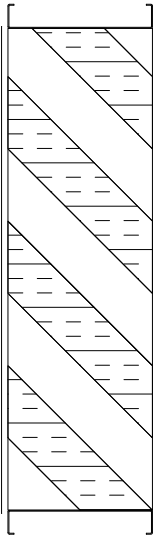
APPROVAL

DATE:
PROJECT:
ENGINEER:
CUSTOMER:
DISTRIBUTOR:

AC-1245-ACOUSTIC



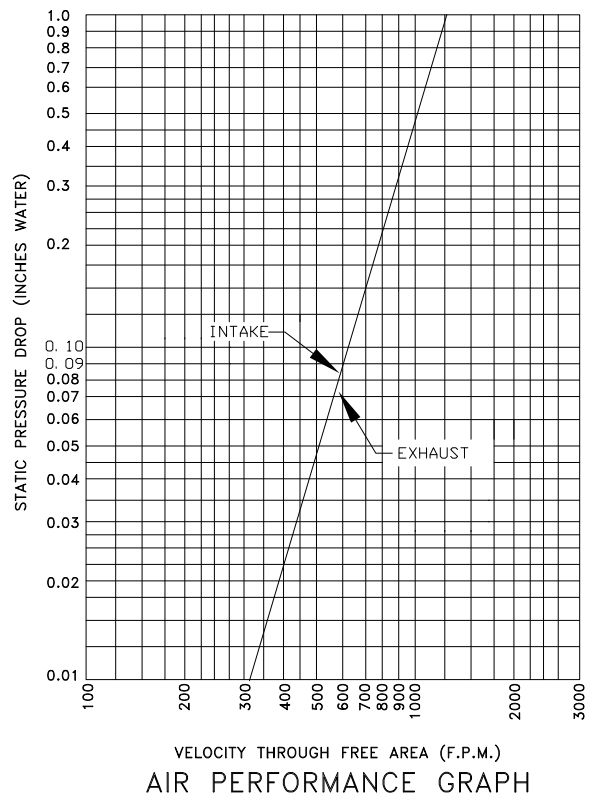
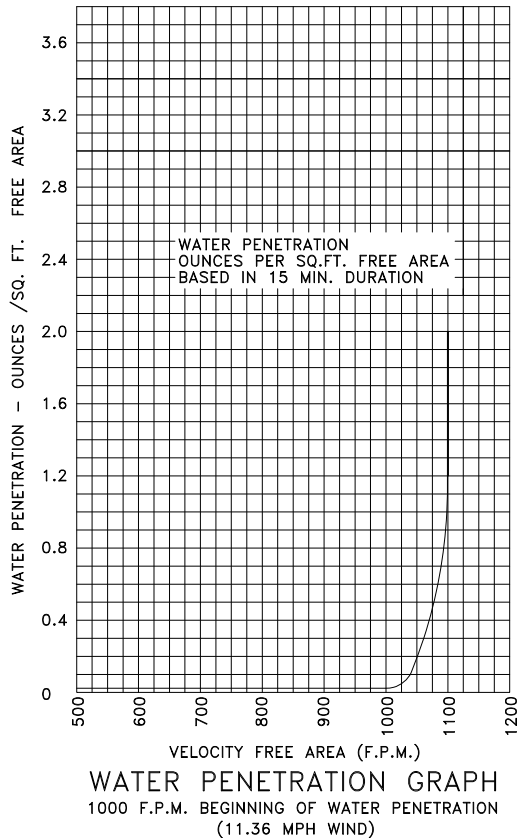
ALUMINUM ACOUSTIC LOUVER AC-1245-AC



TEST
CONDITIONS:
A 48" X 48"
LOUVER WAS
USED FOR
THE TEST
AT STANDARD
AND
OPERATING
TEMPERATURE
RANGE OF
65°F - 85°F,
AND
15 MINUTES
TEST DURATION
WATER PENETRATION

	WIDTH (INCHES)										
	12	18	24	30	36	42	48	54	60	66	72
20	0.24	0.40	0.55	0.71	0.86	1.02	1.18	1.33	1.49	1.64	1.80
24	0.33	0.54	0.75	0.96	1.18	1.67	1.60	1.81	2.02	2.24	2.45
28	0.41	0.68	0.95	1.22	1.49	2.04	2.02	2.29	2.56	2.83	3.10
32	0.50	0.82	1.15	1.47	1.80	2.40	2.45	2.77	3.10	3.42	3.75
36	0.59	0.97	1.35	1.73	2.11	2.77	2.87	3.25	3.63	4.01	4.40
40	0.67	1.11	1.55	1.98	2.42	3.14	3.30	3.73	4.17	4.61	5.04
44	0.76	1.25	1.75	2.24	2.73	3.51	3.72	4.21	4.71	5.20	5.69
48	0.84	1.39	1.94	2.49	3.04	3.87	4.14	4.69	5.24	5.79	6.34
52	0.93	1.54	2.14	2.75	3.35	4.24	4.57	5.17	5.78	6.38	6.99
56	1.02	1.68	2.34	3.00	3.67	4.61	4.99	5.65	6.31	6.98	7.64
60	1.10	1.82	2.54	3.26	3.98	4.98	5.41	6.13	6.85	7.57	8.29
64	1.19	1.97	2.74	3.51	4.29	5.34	5.84	6.61	7.39	8.16	8.94
68	1.28	2.11	2.93	3.77	4.60	5.71	6.26	7.09	7.92	8.75	9.59
72	1.36	2.25	3.14	4.02	4.91	6.08	6.69	7.57	8.46	9.35	10.23
76	1.45	2.39	3.34	4.28	5.22	6.45	7.11	8.05	9.00	9.94	10.88
80	1.54	2.54	3.54	4.53	5.53	6.82	7.53	8.53	9.53	10.53	11.53
84	1.62	2.68	3.73	4.79	5.85	7.18	7.96	9.01	10.11	11.12	12.18
88	1.71	2.82	3.93	5.05	6.16	7.55	8.38	9.44	10.49	11.72	12.83
92	1.80	2.96	4.13	5.30	6.47	7.92	8.81	9.93	10.97	11.99	13.48
96	1.88	3.11	4.33	5.56	6.78	8.29	9.23	10.67	11.64	13.14	14.13
100	1.97	3.25	4.53	5.81	7.09	8.65	9.65	12.19	10.93	15.02	14.78
104	2.05	3.39	4.73	6.07	7.40	9.02	10.08	12.78	11.41	15.75	15.42
108	2.14	3.53	4.93	6.32	7.71	9.39	10.50	13.71	11.89	16.90	16.07
112	2.23	3.68	5.13	6.58	8.03	9.76	10.92	15.24	12.37	18.78	16.72
116	2.31	3.82	5.33	6.83	8.34	10.12	11.35	15.24	12.85	18.78	17.37
120	2.40	3.96	5.52	7.09	8.65	10.09	11.77	15.24	13.33	18.78	18.02

FREE AREA TABLE (SQ. FEET)
RATING INCLUDES THE EFFECT OF A BIRDSCREEN



THE INFORMATION CONTAINED ON THIS DATA SHEET REMAINS THE PROPERTY OF WESTERN VENTILATION PRODUCTS LTD. AND IS PROTECTED BY COPYRIGHT. WESTVENT AIR PERFORMANCE RATINGS SHOWN ARE BASED ON TESTS MADE BY TECHNICIANS IN OUR TEST LABORATORY.

WESTVENT ACOUSTIC LOUVER RATINGS

TABLE 1: TRANSMISSION LOSS (TL) IN DECIBELS (dB)

OCTAVE BAND CENTER	1	2	3	4	5	6	7	8
FREQUENCY (HZ)	63	125	250	500	1K	2K	4K	8K
SC-645-AC	6	4	5	7	11	16	12	10
AC-645-AC	6	4	5	7	11	16	12	10
AC-845-AC	7	5	6	8	12	17	13	11
SC-845-AC	7	5	6	9	13	18	15	12
AC-1245-AC	10	6	8	10	15	19	13	12
SC-1245-AC	9	7	8	10	15	19	13	12
SC-1245-5-AC	10	7	6	11	19	30	19	18

TABLE 2: FIELD NOISE REDUCTION (NR) IN DECIBELS (dB)

OCTAVE BAND CENTER	1	2	3	4	5	6	7	8
FREQUENCY (HZ)	63	125	250	500	1K	2K	4K	8K
SC-645-AC	12	10	11	13	17	24	18	16
AC-645-AC	12	10	11	13	17	24	18	16
AC-845-AC	13	11	12	14	18	23	19	17
SC-845-AC	13	11	12	15	19	24	21	18
AC-1245-AC	16	12	14	16	21	25	19	18
SC-1245-AC	15	13	14	16	20	25	19	18
SC-1245-5-AC	14	13	12	17	25	36	25	23

THE ACOUSTIC RATING INDICATED ABOVE ARE RATED IN THE MECHANICAL ENGINEERING ACOUSTIC NOISE UNIT OF THE UNIVERSITY OF ALBERTA IN ACCORDANCE WITH ASTM STANDARD E90-90 AND ASTM C423.

FIELD NOISE RATINGS MIGHT VARY SLIGHTLY DEPENDING ON THE APPLICATION