

HORIZONTAL SECTION

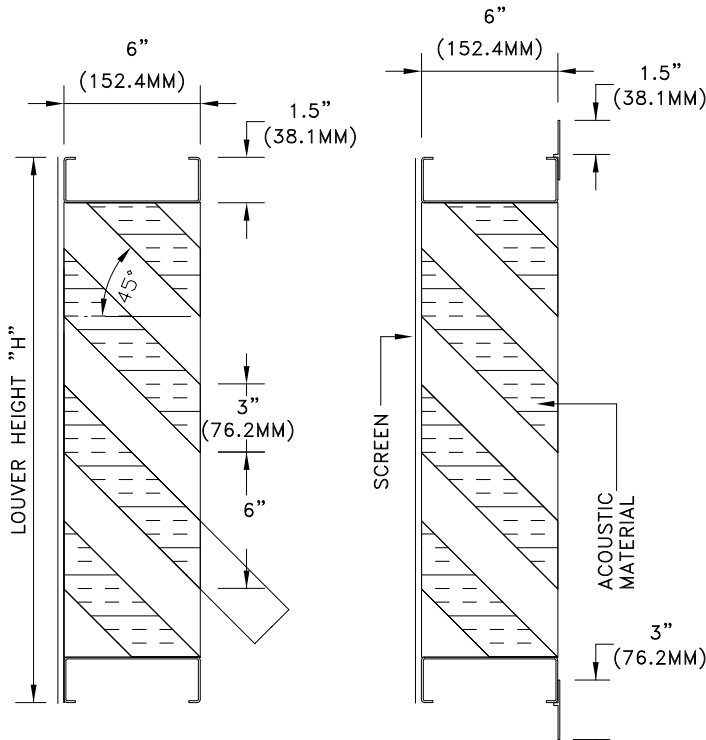


ALUMINUM
ACOUSTIC LOUVER

AC-645-AC ACF-645-AC

STANDARD SPECIFICATIONS

- CONST. - FORMED ALUMINUM, WELDED ASSEMBLY
 FRAME - 6" X 1.5" X .081" (152.4MM X 38.1MM X 2.1MM) CHANNEL, BUTT CORNERS
 BLADES - FACE: 6" X .081", (152.4MM X 2.1MM) SET AT 45°, 6" (152.4MM) SPACING
 BACK: .032" (.81MM) PERFORATED METAL WITH .125" (3.2MM) DIA. HOLES ON .219" (5.6MM) STAGGERED CENTERS
 ACOUSTIC MATERIAL - 8 LB DENSITY MINERAL WOOL
 SCREEN - .5" X .5", 18 GAUGE (12.7 X 12.7) GALVANIZED, SCREW FASTENED
 FINISH - MILL ALUMINUM
 SIZE - MINIMUM 16" W X 20" H (406.4MM X 508MM)
 MAXIMUM SECTION WIDTH 72" (1828.8MM)
 MAXIMUM SECTION HEIGHT 120" (3048MM)
 MAXIMUM SECTION SIZE 60 SQ. FT.



AC-645-AC
VERTICAL SECTION

ACF-645-AC
VERTICAL SECTION

OPTIONS

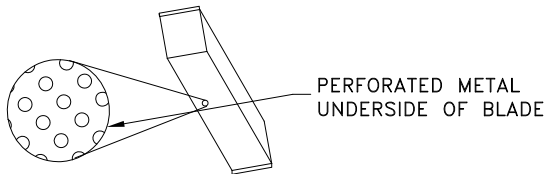
- FRAME - ACF-ADD FLANGE FRAME 1.5" (38.1MM) USING A 2.5" X .081", (63.5MM X 2.1MM) T-BAR
 SCREEN - AS PER REQUEST
 FINISH - BAKED ENAMEL AND OTHERS

FREE AREA CHARTS AVAILABLE UPON REQUEST

TECHNICAL NOTES

- MAX. REC. INTAKE VEL. - 700 FPM THROUGH FREE AREA
 SHIPPING WEIGHT - APPROX. 8 LBS./SQ. FT.
 LOUVERS ARE MANUFACTURED .5" (12.7MM) SMALLER THAN ORDERED SIZE UNLESS EXACT DIMENSIONS ARE STATED.

* FOR MORE INFORMATION, CONTACT OUR FACTORY *



BLADE SECTION

NOTES

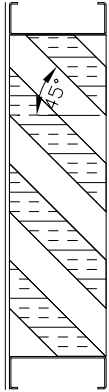
APPROVAL

DATE:
PROJECT:
ENGINEER:
CUSTOMER:
DISTRIBUTOR:

AC-645-AC



ALUMINUM ACOUSTIC LOUVER AC-645-AC



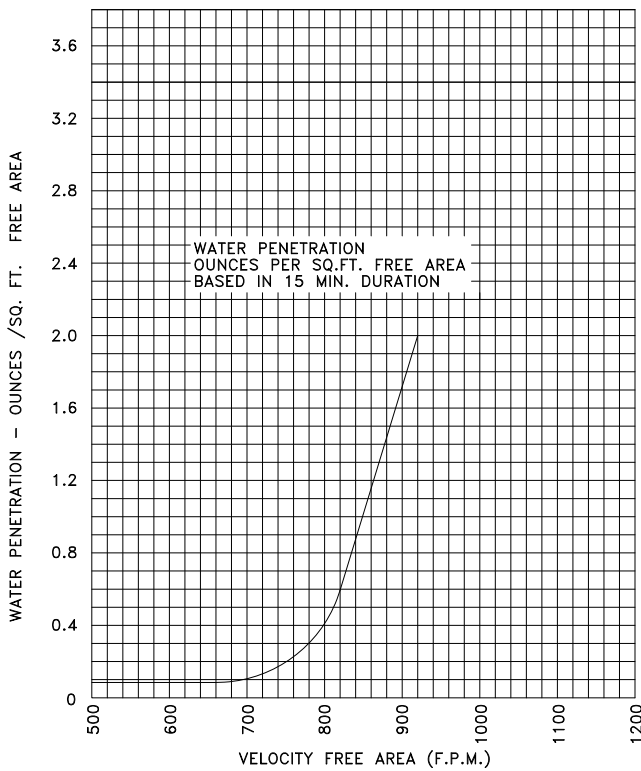
TEST
CONDITIONS:
A 48" X 48"
LOUVER WAS
USED FOR
THE TEST
AT STANDARD
AND
OPERATING
TEMPERATURE
RANGE OF
65°F - 85°F,
AND
15 MINUTES
TEST DURATION
WATER PENETRATION

WIDTH (INCHES)

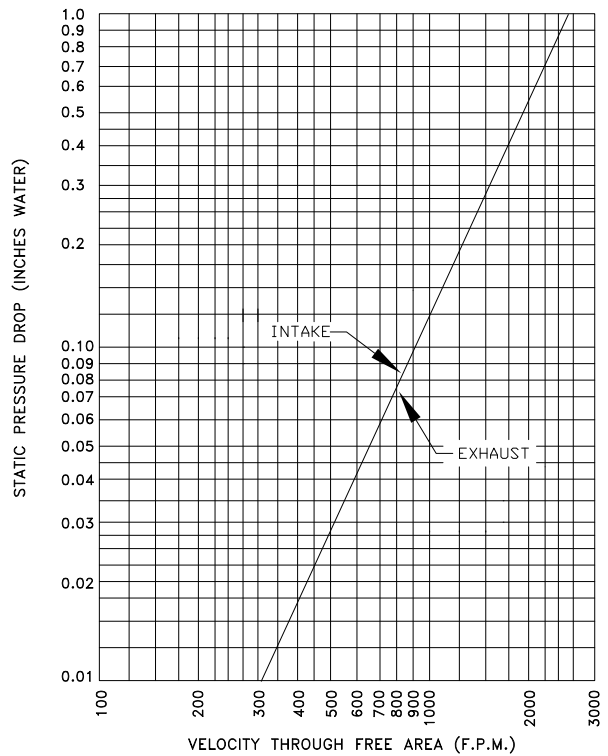
	12	18	24	30	36	42	48	54	60	66	72
20	0.27	0.45	0.62	0.80	0.97	1.15	1.33	1.50	1.68	1.85	2.03
24	0.36	0.60	0.83	1.07	1.30	1.84	1.78	2.01	2.25	2.48	2.72
28	0.45	0.75	1.04	1.34	1.63	2.23	2.23	2.52	2.82	3.12	3.41
32	0.54	0.90	1.25	1.61	1.96	2.62	2.68	3.03	3.39	3.75	4.10
36	0.63	1.05	1.46	1.88	2.30	3.01	3.13	3.54	3.96	4.38	4.79
40	0.72	1.20	1.67	2.15	2.63	3.40	3.58	4.05	4.53	5.01	5.48
44	0.81	1.35	1.88	2.42	2.96	3.79	4.03	4.57	5.10	5.64	6.17
48	0.90	1.50	2.09	2.69	3.29	4.18	4.48	5.08	5.67	6.27	6.87
52	0.99	1.65	2.30	2.96	3.62	4.57	4.93	5.59	6.24	6.90	7.56
56	1.08	1.80	2.51	3.23	3.95	4.96	5.38	6.10	6.81	7.53	8.25
60	1.17	1.95	2.72	3.50	4.28	5.35	5.83	6.61	7.38	8.16	8.94
64	1.26	2.10	2.93	3.77	4.61	5.74	6.28	7.12	7.96	8.79	9.63
68	1.35	2.25	3.14	4.04	4.94	6.14	6.73	7.63	8.53	9.42	10.32
72	1.44	2.40	3.35	4.31	5.27	6.53	7.18	8.14	9.10	10.05	11.01
76	1.53	2.55	3.56	4.58	5.60	6.92	7.63	8.65	9.67	10.68	11.70
80	1.62	2.70	3.77	4.85	5.93	7.31	8.08	9.16	10.24	11.31	12.39
84	1.71	2.85	3.98	5.12	6.26	7.70	8.53	9.67	10.81	11.95	13.08
88	1.80	3.00	4.19	5.39	6.59	8.09	8.98	10.18	11.38	12.58	13.77
92	1.89	3.15	4.40	5.66	6.92	8.48	9.43	10.69	11.95	13.21	14.46
96	1.98	3.30	4.62	5.93	7.25	8.87	9.89	11.20	12.52	13.84	15.16
100	2.07	3.45	4.83	6.20	7.58	9.26	10.34	11.71	13.09	14.47	15.85
104	2.16	3.60	5.04	6.47	7.91	9.65	10.79	12.22	13.66	15.10	16.54
108	2.25	3.75	5.25	6.74	8.24	10.04	11.24	12.73	14.23	15.73	17.23
112	2.34	3.90	5.46	7.01	8.57	10.43	11.69	13.24	14.80	16.36	17.92
116	2.43	4.05	5.67	7.28	8.90	10.82	12.14	13.76	15.37	16.99	18.61
120	2.52	4.20	5.88	7.55	9.23	11.22	12.59	14.27	15.94	17.62	19.30

HEIGHT (INCHES)

FREE AREA TABLE (SQ. FT.)
RATING INCLUDES THE EFFECT OF A BIRDSCREEN



WATER PENETRATION GRAPH
700 F.P.M. BEGINNING OF WATER PENETRATION
(7.95 MPH WIND)



AIR PERFORMANCE GRAPH

THE INFORMATION CONTAINED ON THIS DATA SHEET REMAINS THE PROPERTY OF WESTERN VENTILATION PRODUCTS LTD. AND IS PROTECTED BY COPYRIGHT. WESTVENT AIR PERFORMANCE RATINGS SHOWN ARE BASED ON TESTS MADE BY TECHNICIANS IN OUR TEST LABORATORY.

WESTVENT ACOUSTIC LOUVER RATINGS

TABLE 1: TRANSMISSION LOSS (TL) IN DECIBELS (dB)

OCTAVE BAND CENTER	1	2	3	4	5	6	7	8
FREQUENCY (HZ)	63	125	250	500	1K	2K	4K	8K
SC-645-AC	6	4	5	7	11	16	12	10
AC-645-AC	6	4	5	7	11	16	12	10
AC-845-AC	7	5	6	8	12	17	13	11
SC-845-AC	7	5	6	9	13	18	15	12
AC-1245-AC	10	6	8	10	15	19	13	12
SC-1245-AC	9	7	8	10	15	19	13	12
SC-1245-5-AC	10	7	6	11	19	30	19	18

TABLE 2: FIELD NOISE REDUCTION (NR) IN DECIBELS (dB)

OCTAVE BAND CENTER	1	2	3	4	5	6	7	8
FREQUENCY (HZ)	63	125	250	500	1K	2K	4K	8K
SC-645-AC	12	10	11	13	17	24	18	16
AC-645-AC	12	10	11	13	17	24	18	16
AC-845-AC	13	11	12	14	18	23	19	17
SC-845-AC	13	11	12	15	19	24	21	18
AC-1245-AC	16	12	14	16	21	25	19	18
SC-1245-AC	15	13	14	16	20	25	19	18
SC-1245-5-AC	14	13	12	17	25	36	25	23

THE ACOUSTIC RATING INDICATED ABOVE ARE RATED IN THE MECHANICAL ENGINEERING ACOUSTIC NOISE UNIT OF THE UNIVERSITY OF ALBERTA IN ACCORDANCE WITH ASTM STANDARD E90-90 AND ASTM C423.

FIELD NOISE RATINGS MIGHT VARY SLIGHTLY DEPENDING ON THE APPLICATION