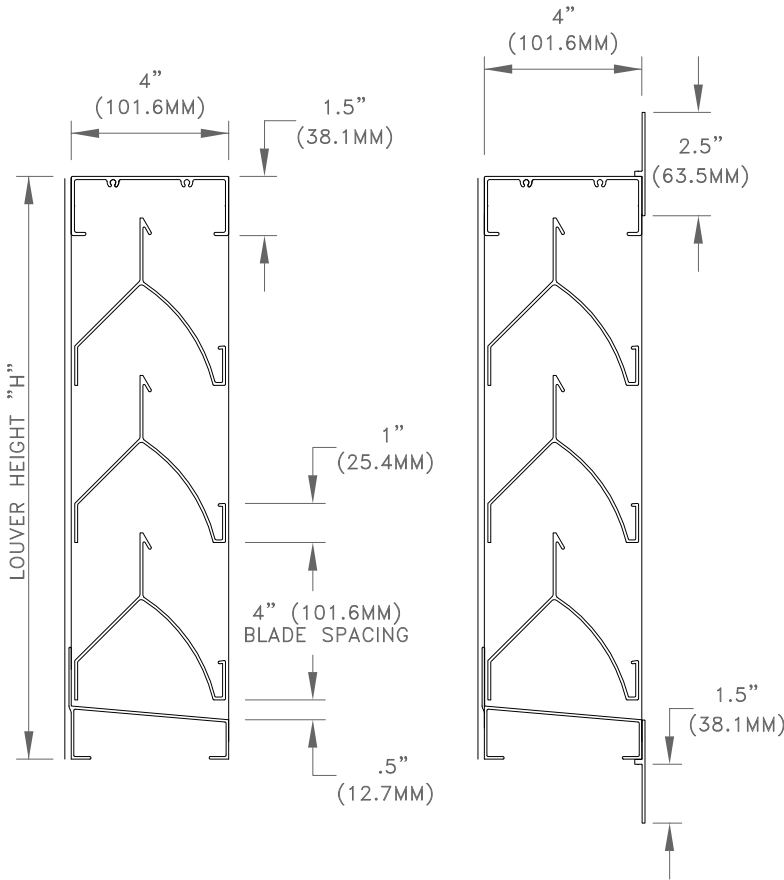


HORIZONTAL SECTION



CHEVRON LOUVER  
 XT-450WV XTF-450WV



XT-450WV XTF-450WV  
 VERTICAL SECTION VERTICAL SECTION

STANDARD SPECIFICATIONS

- CONST. - 6063-T5 EXTRUDED ALUMINUM, WELDED
- FRAME - 4" X 1.5" X .081", (101.6MM X 38.1MM X 2.1MM) HEADER CHANNEL, SIDE DRAIN CHANNEL, 5° SLOPED SILL, BUTT CORNERS
- BLADES - 4" X .081" (101.6MM X 2.1MM), 4" (101.6MM) SPACING, TYPE "WV" CARRIES WATER TO SIDE DRAIN CHANNELS, EXTRA WEATHERLIP AT CENTER
- SCREEN - .75" X .75" (19.1MM X 19.1MM) X 18 GA. GALVANIZED, SCREW FASTENED
- FINISH - MILL ALUMINUM
- SIZE - MINIMUM 12" X 12" (304.8MM X 304.8MM)  
 MAXIMUM SECTION WIDTH 144" (3657.6MM)  
 MAXIMUM SECTION HEIGHT 144" (3657.6MM)  
 MAXIMUM SECTION SIZE 60 SQ. FT.

OPTIONS

- FRAME - XTF-ADD FLANGE FRAME 1.5" (38.1MM) USING A 2.5" X .081" (63.5MM X 2.1MM) T-BAR
- SCREEN - AS PER REQUEST
- FINISH - BAKED ENAMEL, ANODIZED & OTHERS

TECHNICAL NOTES

- MAX. REC. INTAKE VEL. - 750 FPM THROUGH FREE AREA
- SHIPPING WEIGHT - APPROX. 6 LBS./SQ. FT.

LOUVERS ARE MANUFACTURED .5" (12.7MM) SMALLER THAN ORDERED SIZE UNLESS EXACT DIMENSIONS ARE STATED

\* FOR MORE INFORMATION, CONTACT OUR FACTORY \*

NOTES

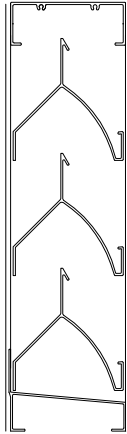
APPROVAL

DATE:  
 PROJECT:  
 ENGINEER:  
 CUSTOMER:  
 DISTRIBUTOR:

XT-450WV



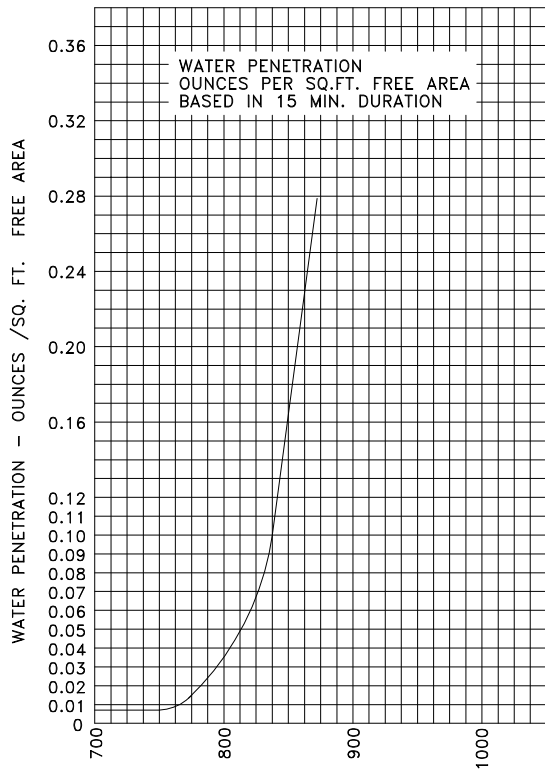
# ALUMINUM LOUVER XT-450WV



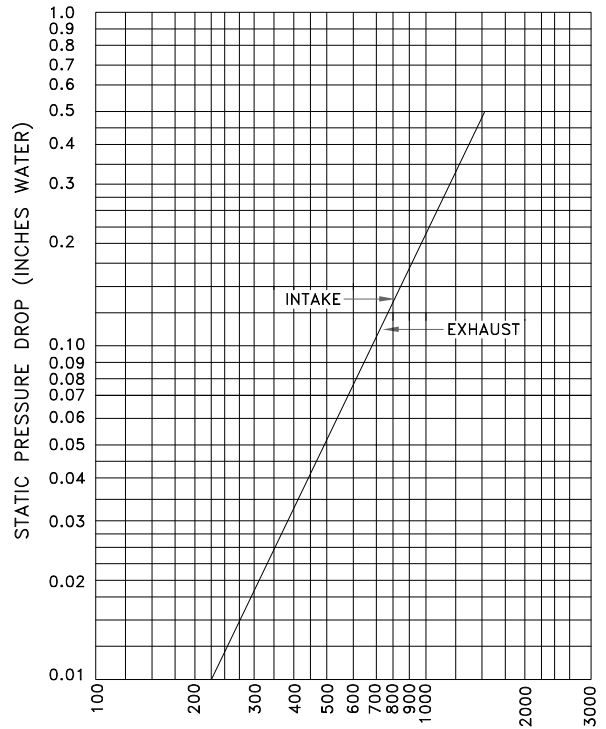
TEST  
CONDITIONS:  
A 48" X 48"  
LOUVER WAS  
USED FOR  
THE TEST;  
AT STANDARD  
AIR DENSITY  
AND  
OPERATING  
TEMPERATURE  
RANGE OF  
65°F - 85°F,  
AND  
15 MINUTES  
TEST DURATION

|                 |      | WIDTH (INCHES) |      |      |       |       |       |       |       |       |       |       |
|-----------------|------|----------------|------|------|-------|-------|-------|-------|-------|-------|-------|-------|
|                 |      | 12             | 18   | 24   | 30    | 36    | 42    | 48    | 54    | 60    | 66    | 72    |
| HEIGHT (INCHES) | 12   | 0.20           | 0.32 | 0.44 | 0.56  | 0.68  | 1.09  | 0.91  | 1.03  | 1.15  | 1.27  | 1.39  |
|                 | 16   | 0.30           | 0.47 | 0.65 | 0.83  | 1.01  | 1.47  | 1.36  | 1.54  | 1.71  | 1.89  | 2.07  |
|                 | 20   | 0.39           | 0.63 | 0.86 | 1.10  | 1.33  | 1.86  | 1.81  | 2.04  | 2.28  | 2.51  | 2.75  |
|                 | 24   | 0.49           | 0.78 | 1.08 | 1.37  | 1.66  | 2.25  | 2.25  | 2.54  | 2.84  | 3.13  | 3.43  |
|                 | 28   | 0.59           | 0.94 | 1.29 | 1.64  | 1.99  | 2.64  | 2.70  | 3.05  | 3.40  | 3.75  | 4.10  |
|                 | 32   | 0.68           | 1.09 | 1.50 | 1.91  | 2.32  | 3.02  | 3.14  | 3.55  | 3.96  | 4.37  | 4.78  |
|                 | 36   | 0.78           | 1.25 | 1.71 | 2.18  | 2.65  | 3.41  | 3.59  | 4.06  | 4.52  | 4.99  | 5.46  |
|                 | 40   | 0.87           | 1.40 | 1.93 | 2.45  | 2.98  | 3.80  | 4.03  | 4.56  | 5.09  | 5.61  | 6.14  |
|                 | 44   | 0.97           | 1.56 | 2.14 | 2.73  | 3.31  | 4.19  | 4.48  | 5.06  | 5.65  | 6.23  | 6.82  |
|                 | 48   | 1.07           | 1.71 | 2.35 | 3.00  | 3.64  | 4.57  | 4.92  | 5.57  | 6.21  | 6.85  | 7.50  |
|                 | 52   | 1.16           | 1.86 | 2.57 | 3.27  | 3.97  | 4.96  | 5.37  | 6.07  | 6.77  | 7.47  | 8.17  |
|                 | 56   | 1.26           | 2.02 | 2.78 | 3.54  | 4.30  | 5.35  | 5.82  | 6.58  | 7.33  | 8.09  | 8.85  |
|                 | 60   | 1.36           | 2.17 | 2.99 | 3.81  | 4.63  | 5.74  | 6.26  | 7.08  | 7.90  | 8.71  | 9.53  |
|                 | 64   | 1.45           | 2.33 | 3.20 | 4.08  | 4.96  | 6.12  | 6.71  | 7.58  | 8.46  | 9.33  | 10.21 |
| 68              | 1.55 | 2.48           | 3.42 | 4.35 | 5.28  | 6.51  | 7.15  | 8.09  | 9.02  | 9.95  | 10.89 |       |
| 72              | 1.65 | 2.64           | 3.63 | 4.62 | 5.61  | 6.90  | 7.60  | 8.59  | 9.58  | 10.58 | 11.57 |       |
| 76              | 1.74 | 2.79           | 3.84 | 4.89 | 5.94  | 7.28  | 8.04  | 9.09  | 10.14 | 11.20 | 12.25 |       |
| 80              | 1.84 | 2.95           | 4.06 | 5.16 | 6.27  | 7.67  | 8.49  | 9.60  | 10.71 | 11.82 | 12.92 |       |
| 84              | 1.93 | 3.10           | 4.27 | 5.44 | 6.60  | 8.06  | 8.94  | 10.10 | 11.27 | 12.44 | 13.60 |       |
| 88              | 2.03 | 3.26           | 4.48 | 5.71 | 6.93  | 8.45  | 9.38  | 10.61 | 11.83 | 13.06 | 14.28 |       |
| 92              | 2.13 | 3.41           | 4.69 | 5.98 | 7.26  | 8.83  | 9.83  | 11.11 | 12.39 | 13.68 | 14.96 |       |
| 96              | 2.22 | 3.57           | 4.91 | 6.25 | 7.59  | 9.22  | 10.27 | 11.61 | 12.96 | 14.30 | 15.64 |       |
| 100             | 2.32 | 3.72           | 5.12 | 6.52 | 7.92  | 9.61  | 10.72 | 12.12 | 13.52 | 14.92 | 16.32 |       |
| 104             | 2.42 | 3.87           | 5.33 | 6.79 | 8.25  | 10.00 | 11.16 | 12.62 | 14.08 | 15.54 | 17.00 |       |
| 108             | 2.51 | 4.03           | 5.54 | 7.09 | 8.58  | 10.38 | 11.61 | 13.13 | 14.64 | 16.16 | 17.67 |       |
| 112             | 2.61 | 4.18           | 5.76 | 7.33 | 8.91  | 10.77 | 12.05 | 13.63 | 15.20 | 16.78 | 18.35 |       |
| 116             | 2.71 | 4.34           | 5.97 | 7.60 | 9.24  | 11.16 | 12.50 | 14.13 | 15.77 | 17.40 | 19.03 |       |
| 120             | 2.80 | 4.49           | 6.18 | 7.87 | 9.56  | 11.55 | 12.95 | 14.64 | 16.33 | 18.02 | 19.71 |       |
| 124             | 2.90 | 4.65           | 6.40 | 8.15 | 9.89  | 11.93 | 13.39 | 15.14 | 16.89 | 18.64 | 20.39 |       |
| 128             | 2.99 | 4.80           | 6.61 | 8.42 | 10.22 | 12.32 | 13.84 | 15.64 | 17.45 | 19.26 | 21.07 |       |
| 132             | 3.09 | 4.96           | 6.82 | 8.69 | 10.55 | 12.71 | 14.28 | 16.15 | 18.01 | 19.88 | 21.74 |       |
| 136             | 3.19 | 5.11           | 7.03 | 8.96 | 10.88 | 13.10 | 14.73 | 16.65 | 18.58 | 20.50 | 22.42 |       |
| 140             | 3.28 | 5.27           | 7.25 | 9.23 | 11.21 | 13.48 | 15.17 | 17.16 | 19.14 | 21.12 | 23.10 |       |
| 144             | 3.38 | 5.42           | 7.46 | 9.50 | 11.54 | 13.86 | 15.62 | 17.66 | 19.70 | 21.74 | 23.78 |       |

FREE AREA TABLE (SQ. FEET)  
RATINGS INCLUDE THE EFFECT OF A BIRD SCREEN



WATER PENETRATION GRAPH  
750 F.P.M. BEGINNING OF WATER PENETRATION  
(8.52 MPH WIND)



AIR PERFORMANCE GRAPH

THE INFORMATION CONTAINED ON THIS DATA SHEET REMAINS THE PROPERTY OF WESTERN VENTILATION PRODUCTS LTD. AND IS PROTECTED BY COPYRIGHT. WESTVENT AIR PERFORMANCE RATINGS SHOWN ARE BASED ON TESTS MADE BY TECHNICIANS IN OUR TEST LABORATORY.