

HORIZONTAL SECTION



# ALUMINUM LOUVER XC-345W    XF-345W

STANDARD SPECIFICATIONS

- CONST. - 6063-T5 EXTRUDED ALUMINUM, SCREWED ASSEMBLY
- FRAME - 3" X 1" X .081" (76.2MM X 25.4MM X 2.1MM) CHANNEL, BUTT CORNERS
- BLADES - 3" X .081" (76.2MM X 2.1MM) SET AT 45°, 3.5" (88.9MM) BLADE SPACING, SUPPORTS AT 36" (914.4MM) CENTERS
- SCREEN - .5" X .5" (12.7MM X 12.7MM) X 18 GAUGE GALVANIZED, SCREW FASTENED
- FINISH - MILL ALUMINUM
- SIZE - MINIMUM 10" W X 10" H (254MM X 254MM)  
 MAXIMUM SECTION WIDTH 120" (3048MM)  
 MAXIMUM SECTION HEIGHT 120" (3048MM)  
 MAXIMUM SECTION SIZE 36 SQ. FT.

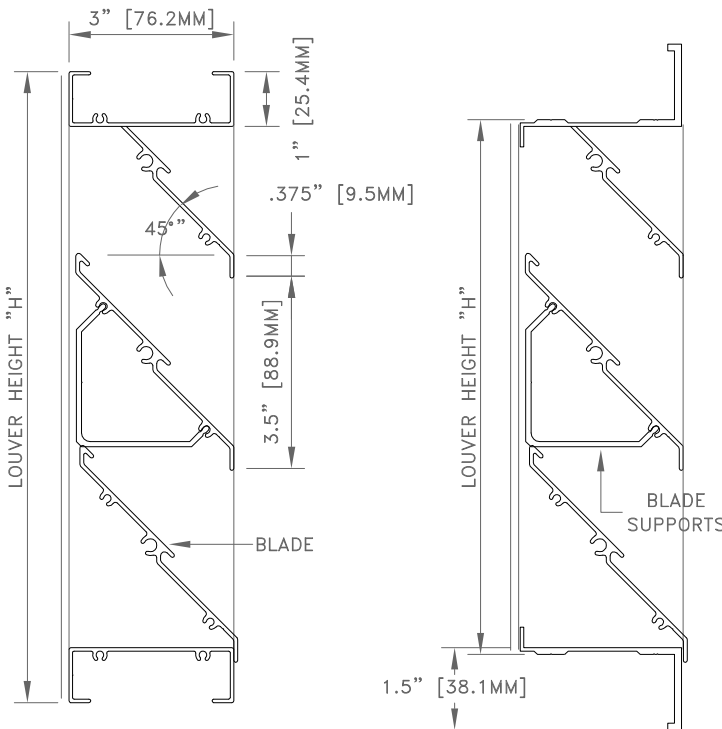
OPTIONS

- CONST. - WELDED, CONTINUOUS BLADES, ROUND, TRIANGULAR SHAPES, ETC.
- FRAME - XF-FLANGE FRAME 1.5" X .125" (38.1MM X 3.2MM), MITRED CORNERS
- SCREEN - AS PER REQUEST
- FINISH - BAKED ENAMEL, ANODIZED AND OTHERS

TECHNICAL NOTES

- MAX. REC. INTAKE VEL. - 700 FPM THROUGH FREE AREA
- SHIPPING WEIGHT - APPROX. 3 LBS./SQ. FT.

LOUVERS ARE MANUFACTURED .5" (12.7MM) SMALLER THAN ORDERED SIZE UNLESS EXACT DIMENSIONS ARE STATED.



XC-345W

VERTICAL SECTION

XF-345W

VERTICAL SECTION

\* FOR MORE INFORMATION, CONTACT OUR FACTORY \*

## NOTES

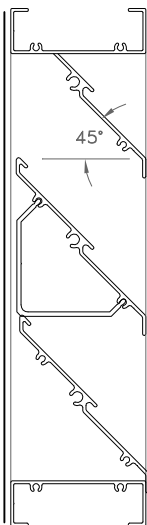
## APPROVAL

DATE:  
 PROJECT:  
 ENGINEER:  
 CUSTOMER:  
 DISTRIBUTOR:

XC-345W



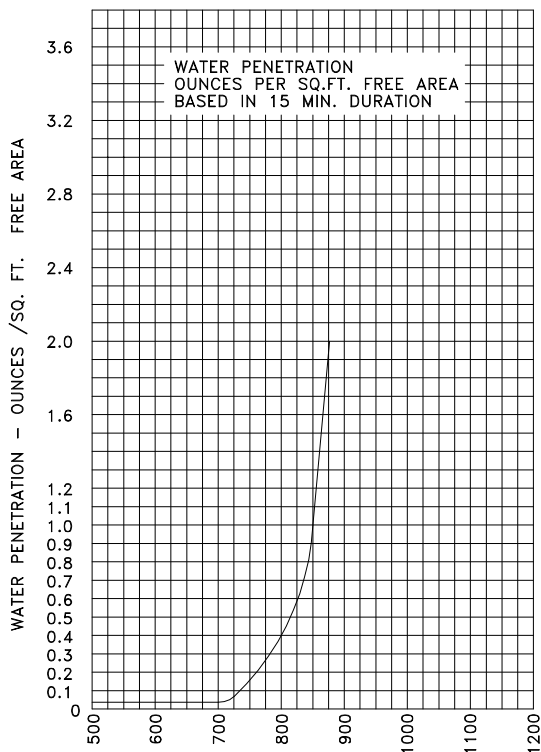
# ALUMINUM LOUVER XC-345W



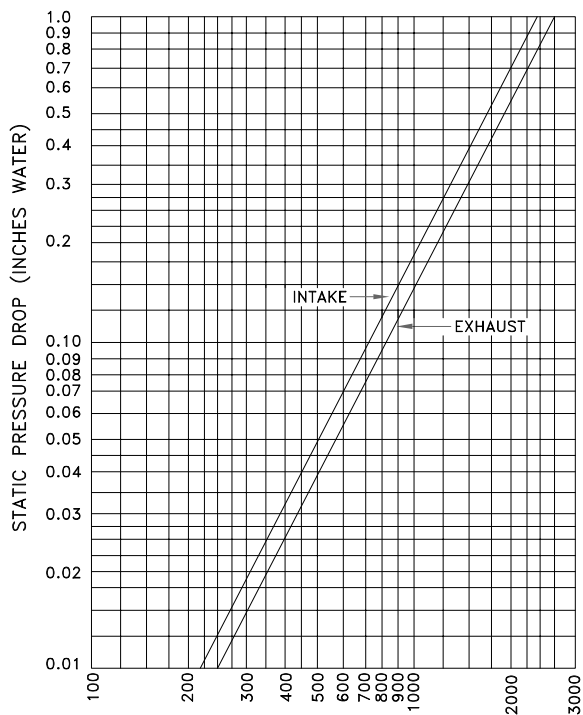
TEST  
CONDITIONS:  
A 48" X 48"  
LOUVER WAS  
USED FOR  
THE TEST;  
AT STANDARD  
AIR DENSITY  
AND  
OPERATING  
TEMPERATURE  
RANGE OF  
65°F - 85°F,  
AND  
15 MINUTES  
TEST DURATION

		WIDTH (INCHES)										
		12	18	24	30	36	42	48	54	60	66	72
HEIGHT (INCHES)	12	0.18	0.30	0.41	0.53	0.64	0.76	0.88	0.99	1.11	1.22	1.34
	16	0.37	0.60	0.83	1.06	1.29	1.52	1.75	1.98	2.21	2.44	2.67
	20	0.54	0.88	1.22	1.55	1.89	2.23	2.56	2.90	3.24	3.58	3.91
	24	0.66	1.07	1.48	1.90	2.31	2.72	3.13	3.54	3.95	4.36	4.78
	28	0.78	1.27	1.75	2.24	2.72	3.21	3.70	4.18	4.67	5.15	5.64
	32	0.92	1.50	2.07	2.65	3.22	3.80	4.38	4.95	5.53	6.10	6.68
	36	1.11	1.80	2.49	3.18	3.87	4.56	5.25	5.94	6.63	7.32	8.01
	40	1.28	2.08	2.87	3.67	4.47	5.27	6.06	6.86	7.66	8.46	9.25
	44	1.40	2.27	3.14	4.01	4.89	5.76	6.63	7.50	8.37	9.25	10.12
	48	1.52	2.46	3.41	4.36	5.30	6.25	7.20	8.14	9.09	10.04	10.98
	52	1.66	2.70	3.73	4.77	5.80	6.84	7.88	8.91	9.95	10.98	12.02
	56	1.85	3.00	4.15	5.30	6.45	7.60	8.75	9.90	11.05	12.20	13.35
60	2.02	3.28	4.53	5.79	7.05	8.31	9.57	10.82	12.08	13.34	14.60	
64	2.14	3.47	4.80	6.13	7.47	8.80	10.13	11.46	12.80	14.13	15.46	
68	2.26	3.66	5.07	6.48	7.88	9.29	10.70	12.10	13.51	14.92	16.32	
72	2.40	3.90	5.39	6.89	8.38	9.88	11.38	12.87	14.37	15.87	17.36	
76	2.58	4.20	5.81	7.42	9.03	10.64	12.25	13.86	15.47	17.09	18.70	
80	2.76	4.47	6.19	7.91	9.63	11.35	13.07	14.78	16.50	18.22	19.94	
84	2.88	4.67	6.46	8.25	10.05	11.84	13.63	15.42	17.22	19.01	20.80	
88	3.00	4.86	6.73	8.80	10.48	12.33	14.20	16.06	17.93	19.80	21.67	
92	3.14	5.09	7.05	9.01	10.96	12.92	14.88	16.83	18.79	20.75	22.70	
96	3.32	5.36	7.47	9.54	11.61	13.68	15.75	17.82	19.90	21.97	24.04	
100	3.49	5.67	7.85	10.03	12.21	14.39	16.57	18.74	20.92	23.10	25.28	
104	3.61	5.87	8.12	10.37	12.63	14.88	17.13	19.39	21.64	23.89	26.14	
108	3.73	6.06	8.39	10.72	13.04	15.37	17.70	20.03	22.35	24.68	27.01	
112	3.88	6.29	8.71	11.13	13.54	15.96	18.38	20.79	23.21	25.63	28.05	
116	4.06	6.59	9.18	11.66	14.19	16.72	19.25	21.78	24.32	26.85	29.38	
120	4.23	6.87	9.51	12.15	14.79	17.43	20.07	22.71	25.34	27.98	30.62	

FREE AREA TABLE (SQ. FEET)  
RATINGS INCLUDE THE EFFECT OF A BIRD SCREEN



WATER PENETRATION GRAPH  
700 F.P.M. BEGINNING OF WATER PENETRATION  
(7.95 MPH WIND)



AIR PERFORMANCE GRAPH

THE INFORMATION CONTAINED ON THIS DATA SHEET REMAINS THE PROPERTY OF WESTERN VENTILATION PRODUCTS LTD. AND IS PROTECTED BY COPYRIGHT. WESTVENT AIR PERFORMANCE RATINGS SHOWN ARE BASED ON TESTS MADE BY TECHNICIANS IN OUR TEST LABORATORY.