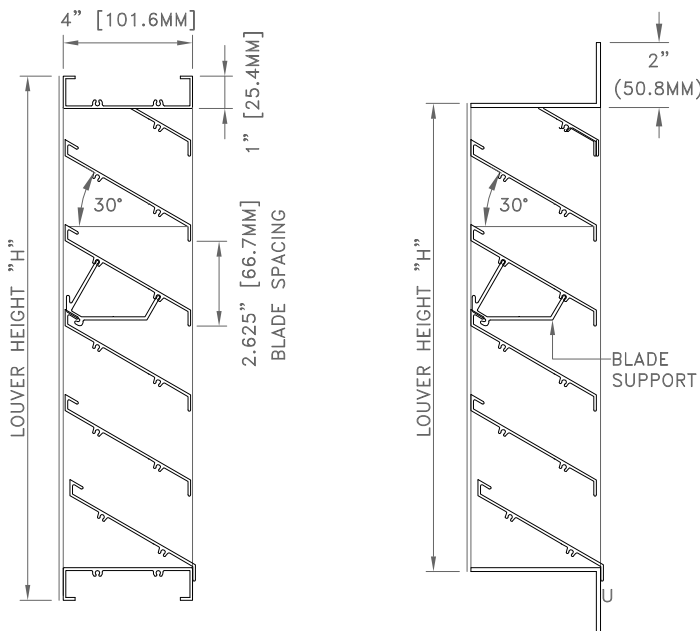


ALUMINUM LOUVER XC-430 XF-430

HORIZONTAL SECTION

STANDARD SPECIFICATIONS

- CONST. - 6063-T5 EXTRUDED ALUMINUM, WELDED ASSEMBLY
- FRAME - 4" X 1" X .081" (101.5MM X 25.4MM X 2.1MM) CHANNEL UP TO 48" (1219.2MM), 4" X 1.5" X .081" (101.6MM X 38.1MM X 2.1MM) OVER 48" (1219.2MM), BUTT CORNERS
- BLADES - 4" X .081" (101.6MM X 2.1MM) SET AT 30°, 2.625" (66.7MM) SPACING, SUPPORTS AT 48" (1219.2MM) CENTERS
- SCREEN - .5" X .5" (12.7MM X 12.7MM) X 18 GA. GALVANIZED, SCREW FASTENED
- FINISH - MILL ALUMINUM
- SIZE - MINIMUM 12" W X 12" H (304.8MM X 304.8MM)
 MAXIMUM SECTION WIDTH 144" (3657.6MM)
 MAXIMUM SECTION HEIGHT 144" (3657.6MM)
 MAXIMUM SECTION SIZE 72 SQ. FT.



OPTIONS

- CONST. - WELDED, CONTINUOUS BLADES, ROUND, TRIANGULAR SHAPES, ETC.
- FRAME - XF-FLANGE FRAME 2" X 4" X .125" (50.8MM X 101.6MM X 3.2MM), MITRED CORNERS
- SCREEN - AS PER REQUEST
- FINISH - BAKED ENAMEL, ANODIZED AND OTHERS

TECHNICAL NOTES

- MAX. REC. INTAKE VEL. - 720 FPM THROUGH FREE AREA
- SHIPPING WEIGHT - APPROX. 5 LBS./SQ. FT.

LOUVERS ARE MANUFACTURED .5" (12.7MM) SMALLER THAN ORDERED SIZE UNLESS EXACT DIMENSIONS ARE STATED

* FOR MORE INFORMATION, CONTACT OUR FACTORY *

XC-430

XF-430

VERTICAL SECTION

VERTICAL SECTION

NOTES

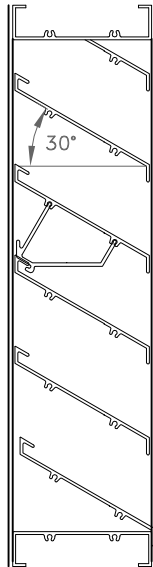
APPROVAL

DATE:
PROJECT:
ENGINEER:
CUSTOMER:
DISTRIBUTOR:

XC-430



ALUMINUM LOUVER XC-430



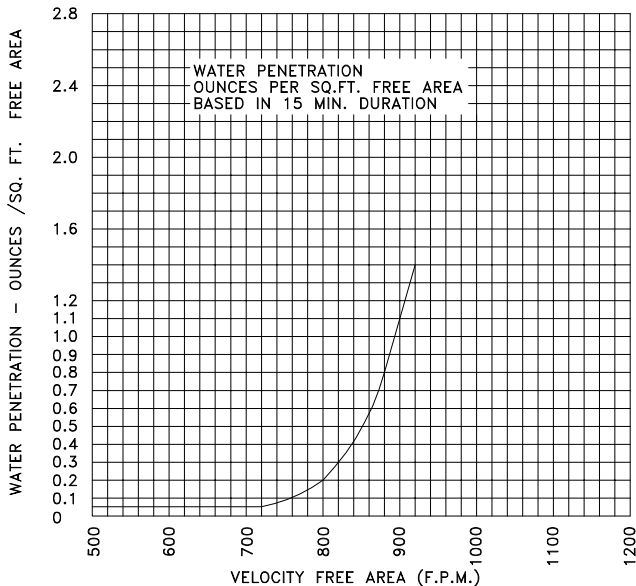
TEST CONDITIONS:
A 48" X 48" LOUVER WAS USED FOR THE TEST AT STANDARD AND OPERATING TEMPERATURE RANGE OF 65°F - 85°F AND 15 MINUTES TEST DURATION WATER PENETRATION

WIDTH (INCHES)

HEIGHT (INCHES)	12	18	24	30	36	42	48	54	60	66	72
12	0.33	0.53	0.73	0.93	1.14	1.34	1.54	1.74	1.95	2.15	2.35
16	0.54	0.88	1.22	1.55	1.89	2.23	2.57	2.91	3.24	3.58	3.92
20	0.72	1.18	1.63	2.08	2.53	2.98	3.43	3.89	4.34	4.79	5.24
24	0.87	1.41	1.95	2.49	3.03	3.57	4.11	4.65	5.19	5.73	6.27
28	1.08	1.76	2.43	3.11	3.78	4.46	5.13	5.80	6.48	7.15	7.83
32	1.19	1.93	2.68	3.42	4.16	4.91	5.65	6.39	7.14	7.88	8.62
36	1.41	2.29	3.16	4.04	4.92	5.80	6.68	7.56	8.43	9.31	10.19
40	1.59	2.58	3.58	4.57	5.56	6.55	7.54	8.54	9.53	10.52	11.51
44	1.73	2.81	3.90	4.98	6.06	7.20	8.22	9.30	10.38	11.46	12.54
48	1.95	3.16	4.38	5.59	6.81	8.01	9.24	10.45	11.67	12.88	14.10
52	2.06	3.34	4.63	5.91	7.19	8.48	9.76	11.04	12.33	13.61	14.89
56	2.28	3.69	5.11	6.53	7.95	9.37	10.79	12.20	13.62	15.04	16.46
60	2.46	3.99	5.52	7.06	8.59	10.12	11.65	13.19	14.72	16.24	17.78
64	2.60	4.22	5.84	7.46	9.09	10.71	12.33	13.95	15.57	17.18	18.81
68	2.71	4.40	6.09	7.77	9.46	11.15	12.84	14.53	16.25	17.91	19.60
72	2.82	4.57	6.33	8.09	9.84	11.60	13.35	15.11	16.91	18.62	20.38
76	3.03	4.93	6.82	8.71	10.60	12.49	14.38	16.27	18.16	20.06	21.95
80	3.22	5.28	7.30	9.33	11.36	13.38	15.41	17.44	19.47	21.49	23.51
84	3.39	5.45	7.55	9.64	11.73	13.83	15.92	18.02	21.91	22.20	24.30
88	3.56	5.80	8.03	10.26	12.49	14.72	16.95	19.18	22.86	23.64	25.87
92	3.73	5.98	8.28	10.57	12.87	15.17	17.46	19.76	23.81	24.35	26.65
96	3.90	6.33	8.76	11.20	13.63	16.06	18.49	20.92	24.76	25.79	28.22
100	4.07	6.61	9.15	10.68	13.63	17.29	19.30	21.84	24.37	26.91	29.45
104	4.24	6.88	9.53	12.17	14.22	17.99	20.11	22.75	25.39	28.04	30.68
108	4.41	7.16	9.91	12.66	14.82	18.69	20.91	23.66	26.41	29.16	31.91
112	4.58	7.44	10.29	13.15	15.41	19.36	21.72	24.58	27.43	30.29	33.15
118	4.75	7.71	10.68	13.64	16.01	20.09	22.53	25.49	28.45	31.41	34.38
120	4.92	7.99	11.06	14.13	16.60	20.80	23.33	26.40	29.47	32.54	35.61
124	5.09	8.27	11.44	14.62	17.20	21.50	24.14	27.32	30.49	33.67	36.84
128	5.26	8.54	11.82	15.10	17.79	22.20	24.95	28.23	31.51	34.79	38.07
132	5.43	8.82	12.20	15.59	18.39	22.90	25.75	29.14	32.53	35.92	39.30
136	5.60	9.09	12.59	16.08	19.57	23.60	26.56	30.06	33.55	37.04	40.54
140	5.77	9.37	12.97	16.57	20.17	24.30	27.37	30.97	34.57	38.17	41.77
144	5.94	9.65	13.35	17.06	20.76	24.47	28.18	31.88	35.59	39.29	43.00

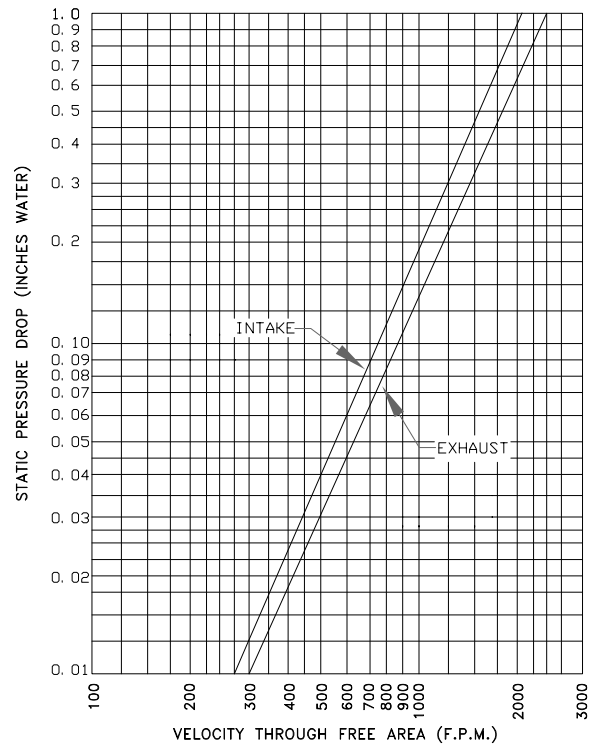
FREE AREA TABLE (SQUARE FEET)

RATING INCLUDES THE EFFECT OF A BIRDSCREEN



WATER PENETRATION GRAPH

720 F.P.M. BEGINNING OF WATER PENETRATION FOR INTAKE PURPOSES



AIR PERFORMANCE GRAPH

THE INFORMATION CONTAINED ON THIS DATA SHEET REMAINS THE PROPERTY OF WESTERN VENTILATION PRODUCTS LTD. AND IS PROTECTED BY COPYRIGHT. WESTVENT AIR PERFORMANCE RATINGS SHOWN ARE BASED ON TESTS MADE BY TECHNICIANS IN OUR TEST LABORATORY.