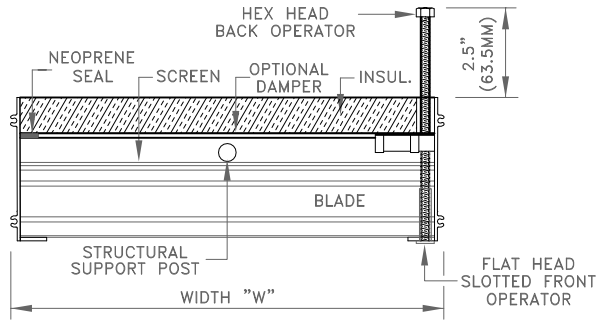
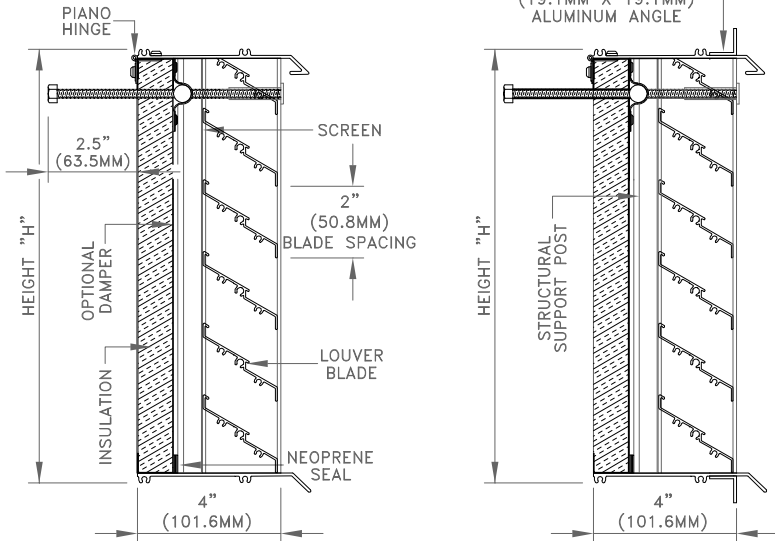




BRICK VENT XB-430W



HORIZONTAL SECTION



XB-430W
VERTICAL SECTION

XBF-430W
VERTICAL SECTION

STANDARD SPECIFICATIONS

- CONST. - 6063-T5 EXTRUDED ALUMINUM, SCREWED ASSEMBLY
- FRAME - 4" X .081" (101.6MM X 2.1MM) CHANNEL, BUTT CORNERS
- BLADES - 2" X .081" (50.8MM X 2.1MM) SET AT 30°, 2" (50.8MM) SPACING EXTRA WEATHERLIP AT CENTER
- SCREEN - #8 GALVANIZED INSECT SCREEN
- FINISH - MILL ALUMINUM
- SIZE - AS PER CHART

OPTIONS

- FRAME - FLANGE FRAME 1" X .125" (25.4MM X 3.2MM)
- DAMPER - PANEL TYPE C/W 1" (25.4MM) RIGID INSULATION. INTERIOR/EXTERIOR KEY OPERATOR
- SEALS - NEOPRENE
- HINGE - 1" (25.4MM) PLATED PIANO HINGE
- LINKAGE - IN AIRSTREAM
- FINISH - BAKED ENAMEL, ANODIZED & OTHERS

TECHNICAL NOTES

MAX. REC. INTAKE VEL. - 700 FPM THROUGH FREE FREE AREA
SHIPPING WEIGHT - APPROX. 10 LBS./SQ. FT.

LOUVER IS MANUFACTURED TO EXACT SIZE AS PER CHART

* FOR MORE INFORMATION, CONTACT OUR FACTORY *

STANDARD BRICK					JUMBO BRICK				
DESCRIPTION	MODEL	DIMENSIONS		% FREE AREA	DESCRIPTION	MODEL	DIMENSIONS		% FREE AREA
		WIDTH	HEIGHT				WIDTH	HEIGHT	
ONE BRICK		8"	2.25"	30	ONE BRICK		8"	2.75"	33
		(203)	(57)				(203)	(70)	
2 BRICKS		8"	4.88"	48	ONE JUMBO		12"	2.75"	33
		(203)	(124)				(305)	(70)	
4 BRICKS		16.5"	4.88"	48	4 BRICKS		16.5"	6"	50
		(419)	(124)				(419)	(152)	
6 BRICKS		16.5"	7.75"	54	MODULAR BLOCK				
		(419)	(197)						
9 BRICKS		25"	7.75"	54	DESCRIPTION	MODEL	DIMENSIONS		% FREE AREA
		(635)	(197)				WIDTH	HEIGHT	
2 BRICKS		16.5"	2.25"	30	1/2 BLOCK		15.63"	3.63"	49
		(419)	(57)				(397)	(92)	
3 BRICKS		25"	2.25"	30	STD. BLOCK		15.63"	7.63"	56
		(635)	(57)				(397)	(194)	
4 BRICKS		8"	10.25"	56	JUMBO BLOCK		16.5"	7.75"	54
		(203)	(260)				(419)	(197)	
6 BRICKS		25"	4.88"	48					
		(6.25)	(124)						

NOTES

APPROVAL

DATE:
PROJECT:
ENGINEER:
CUSTOMER:
DISTRIBUTOR:

XB-430W