

HORIZONTAL SECTION

STEEL LOUVER

SC-1.545 SF-1.545

STANDARD SPECIFICATIONS

- CONST. - FORMED GALVANIZED STEEL, WELDED ASSEMBLY
- FRAME - 1.5" X .75", 22 GAUGE (38.1MM X 19.1MM X .85MM) CHANNEL, BUTT CORNERS
- BLADES - 1.5", 22 GAUGE (38.1MM X .85MM) SET AT 45°, 1.75" (44.5MM) BLADE SPACING, SUPPORTS AT 12" (304.8MM) W CENTERS FOR WIDTHS 16" (406.4) AND OVER
- SCREEN - .5" X .5", (12.7MM X 12.7MM) X 18 GA. GALVANIZED, SCREW FASTENED
- FINISH - MILL GALVANIZED
- SIZE - MINIMUM 12" W X 12" H (304.8MM X 304.8MM)
 MAXIMUM SECTION WIDTH 24" (609.6MM)
 MAXIMUM SECTION HEIGHT 36" (914.4MM)
 MAXIMUM SECTION SIZE 6 SQ. FT.

OPTIONS

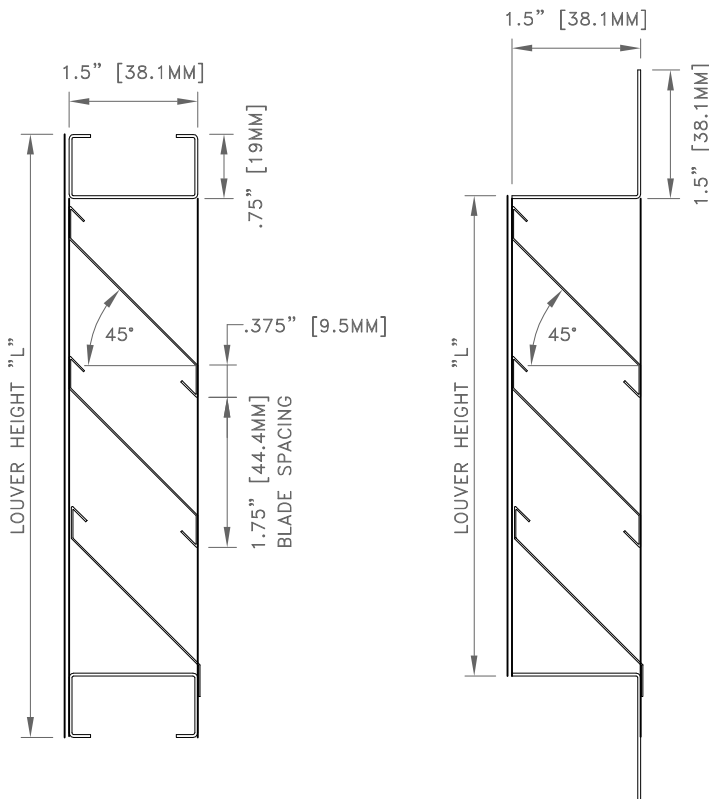
- FRAME - SF-FLANGE FRAME 1.5", 22 GAUGE (38.1MM X .85MM), MITRED CORNERS
- SCREEN - AS PER REQUEST
- FINISH - BAKED ENAMEL & OTHERS

TECHNICAL NOTES

MAX. REC. INTAKE VEL. - 700 FPM THROUGH FREE AREA
 SHIPPING WEIGHT - APPROX. 6 LBS./SQ. FT.

LOUVERS ARE MANUFACTURED .5" (12.7MM) SMALLER THAN ORDERED SIZE UNLESS EXACT DIMENSIONS ARE STATED.

* FOR MORE INFORMATION, CONTACT OUR FACTORY *



SC-1.545
VERTICAL SECTION

SF-1.545
VERTICAL SECTION

NOTES

APPROVAL

DATE:
PROJECT:
ENGINEER:
CUSTOMER:
DISTRIBUTOR:

SC-1.545