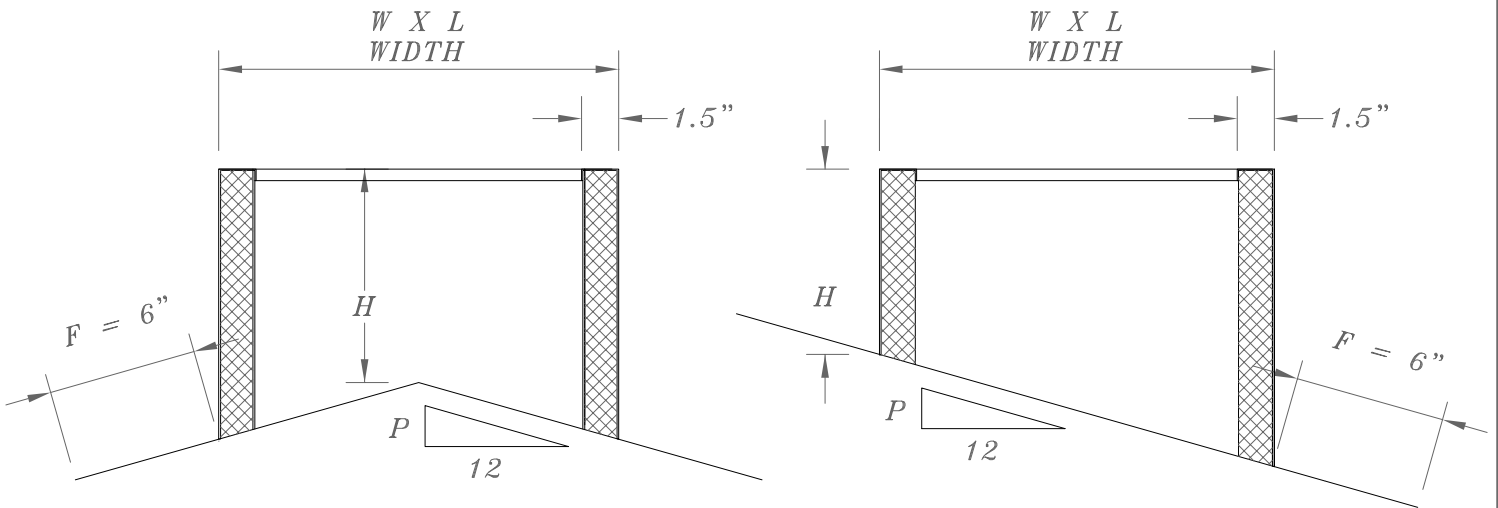




NOTE: ALL CORNERS **MUST** BE FILLED
ALL SEAMS **MUST** BE SEALED

MODEL PF 2 RECTANGULAR CURBS FOR PITCHED ROOFS

TYPE R	TYPE S
---------------	---------------



W = WIDTH
L = LENGTH
H (MINIMUM) = 6" (152.4MM)

QUANTITY	W	L	F	H	P	TYPE	MATERIAL
			6"				
			6"				
			6"				
			6"				
			6"				
			6"				

RECT-CUR