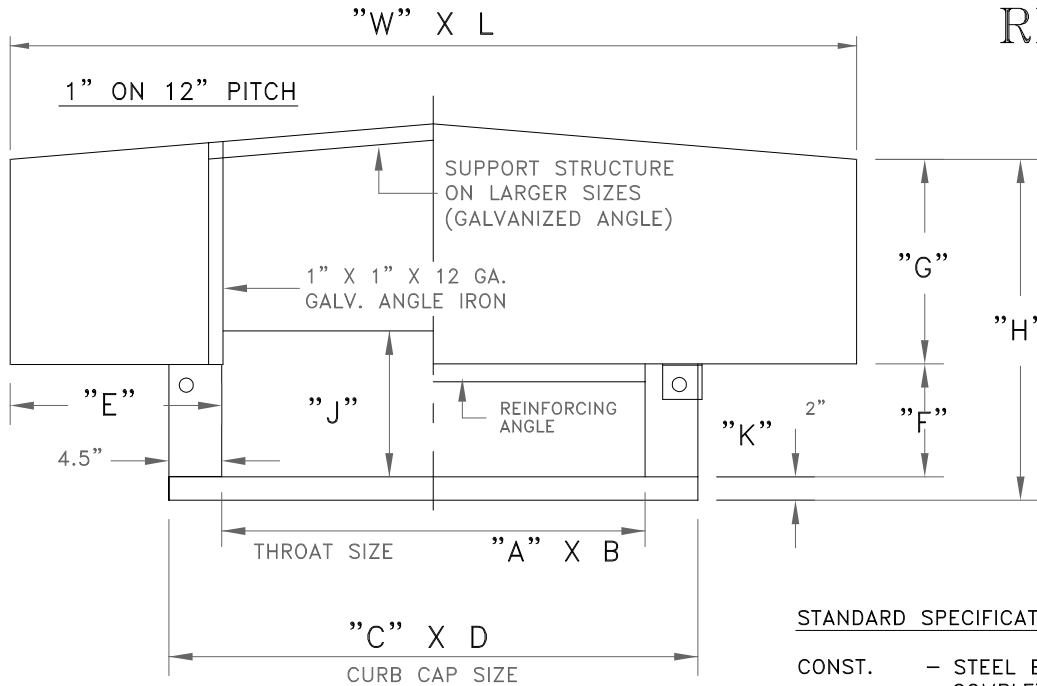




## WVR RELIEF HOOD



### STANDARD SPECIFICATIONS

- CONST. — STEEL BASE AND WEATHERHOOD. COMPLETELY ASSEMBLED
- FRAME — HOOD SUPPORTED BY PAINTED ANGLE IRON
- FINISH —

ORDER BY THROAT SIZE (FREE AREA)

### TECHNICAL NOTES

FREE AREA RATIO = 1 : 1  
 PLEASE SEND COPY OF SHOP DRAWINGS  
 WITH DIMENSIONS REQUIRED.  
 O.D. OF CURB SHOULD BE 1" LESS THAN  
 HOOD CURB CAP

\* FOR MORE INFORMATION, CONTACT OUR FACTORY \*

MATERIAL	GALV. STANDARD	
THROAT SIZE	CURB CAP	HOOD
12" - 30" (305 - 762)	18 GA.	24 GA.
31" - 72" (784 - 1829)	16 GA.	20 GA.
73" - 96" (1854 - 2438)	14 GA.	18 GA.
97" - 144" (2464 - 3658)	12 GA.	18 GA.

QTY.	MODEL	THROAT SIZE	CURB CAP SIZE	HOOD SIZE
	WVR			

## NOTES

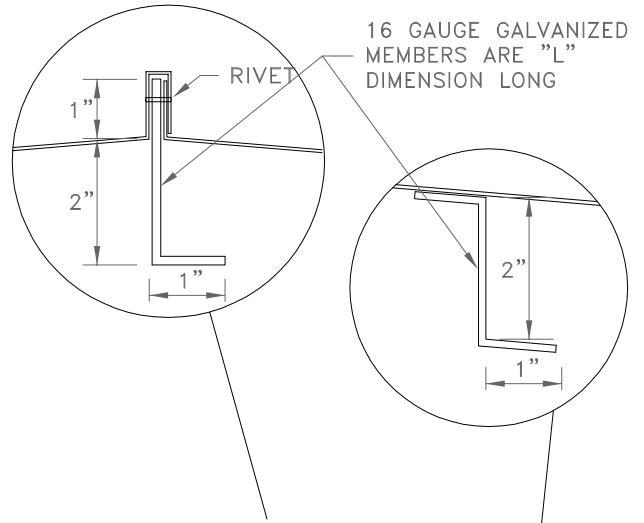
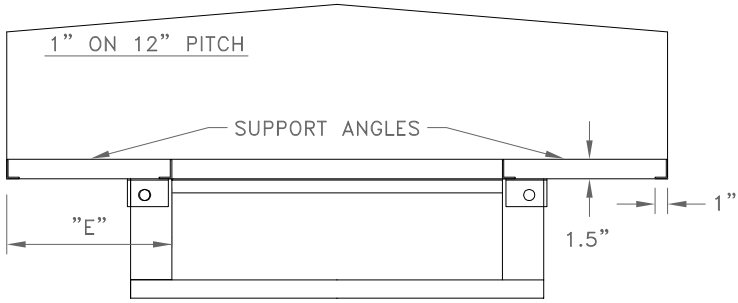
## APPROVAL

DATE:  
 PROJECT:  
 ENGINEER:  
 CUSTOMER:  
 DISTRIBUTOR:



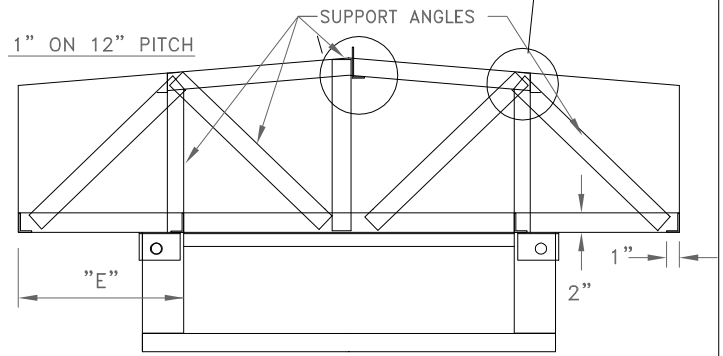
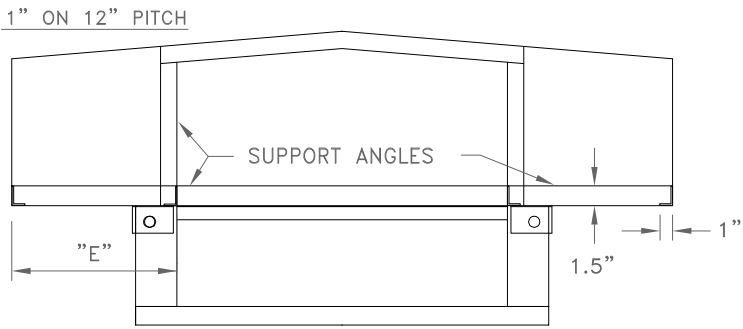
**"E" DIMENSION 6" - 8"**  
 SUPPORT ANGLES =  
 1.5" X 1" X 12 GA. GALVANIZED

**WVR/WVI  
 INTERNAL SUPPORT  
 STRUCTURE**



**"E" DIMENSION 9" - 17"**  
 SUPPORT ANGLES =  
 1.5" X 1" X 12 GA. GALVANIZED

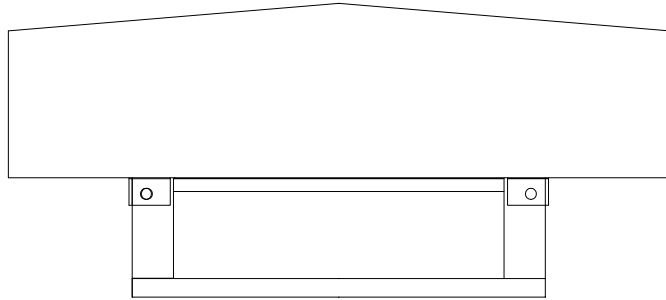
**"E" DIMENSION 18" - 29"**  
 SUPPORT ANGLES =  
 2" X 1" X 10 GA. GALVANIZED



**NOTES**

**APPROVAL**

DATE:  
 PROJECT:  
 ENGINEER:  
 CUSTOMER:  
 DISTRIBUTOR:



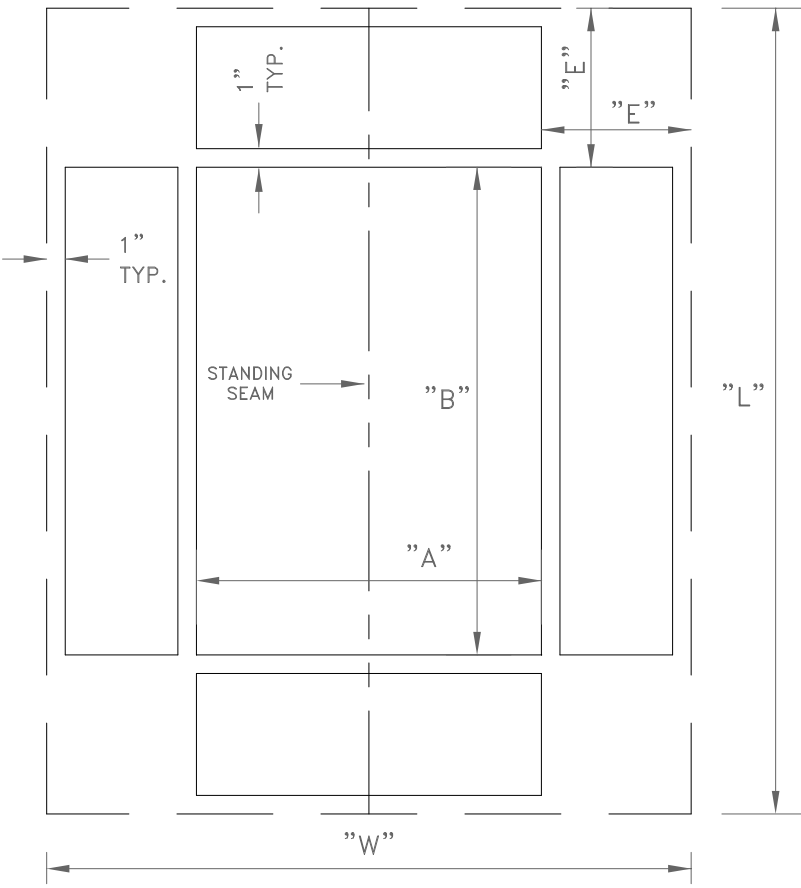
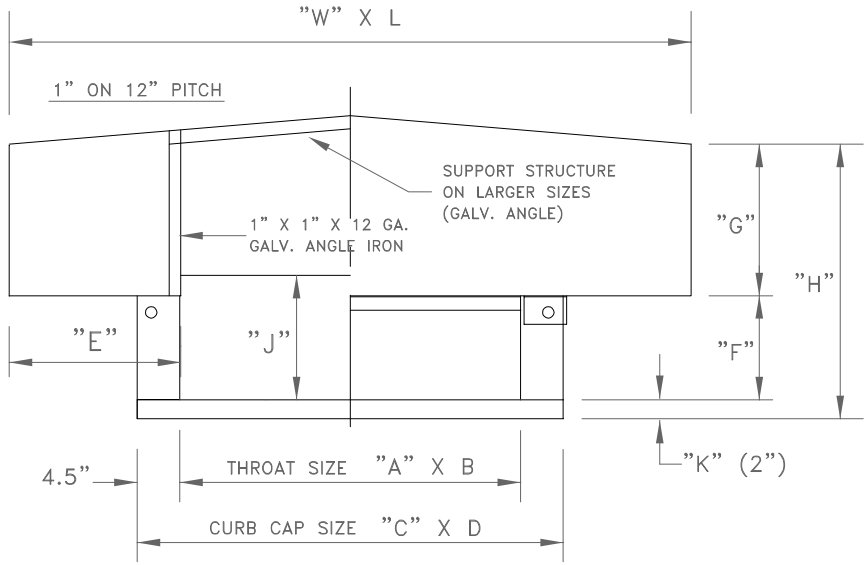
WVR/WVI  
 ROOF HOOD  
 AIR  
 PERFORMANCE  
 CHART

CFM CHART @ S.P. THROAT VEL/FPM						
THROAT AREA (SQ. FT.)	STATIC PRESSURE - S.P. (INCHES)				INTAKE WVI	
	EXHAUST - RELIEF WVR					
	600 F.P.M. 0.05	825 F.P.M. 0.10	1000 F.P.M. 0.20	1345 F.P.M. 0.30	1345 F.P.M. 0.30	1000 F.P.M. 0.15
1	560	785	1080	1345	1345	1000
2	1120	1570	2160	2690	2640	3000
3	1680	2355	3240	4035	3960	3000
4	2240	3140	4320	5380	5280	4000
5	2800	3925	5400	6725	6600	5000
6	3360	4710	6480	8070	7920	6000
7	3920	5495	7560	9415	9240	7000
8	4480	6280	8640	10760	10560	8000
9	5040	7065	9720	12105	11800	9000
10	5600	7850	10800	13450	13200	10000
12	6720	9420	12960	16140	15840	12000
14	7840	10990	15120	18830	18480	14000
16	8960	12560	17280	21520	21120	16000
18	10080	14130	19440	24210	23760	18000
20	11200	15700	21600	26900	26400	20000
24	13440	18840	25920	32280	31680	24000
MIN. RECOMMENDED CURB HEIGHT:				8"	12"	

R-HOOD-P



# ROOF HOOD CALCULATIONS



## WVI CALCULATIONS

$$E = \left[ \frac{A \times B}{(A + B)} \right] + 2''$$

## WVR CALCULATIONS

$$E = \left[ \frac{A \times B}{2(A + B)} \right] + 2''$$

## NOTES

## APPROVAL

DATE:  
PROJECT:  
ENGINEER:  
CUSTOMER:  
DISTRIBUTOR:

# WESTVENT HOOD SIZING CHART

		THROAT	O.D.	O.D.	WVR RELIEF HOODS							RELIEF HOOD	RELIEF HOOD	WVI INTAKE HOODS							INTAKE HOOD	INTAKE HOOD									
		AREA	CURB	CURB	E	F	G	H	J	K	W	L	E	F	G	H	J	K	W	L	CAP	CAP	E	F	G	H	J	K	W	L	
A	B	SQ. FT.																													
12	12	1.00	21	21	6	6	6	14	7.5	2	24	24	8	6	8	16	7.5	2	28	28			8	6	8	16	7.5	2	28	28	
12	14	1.17	21	23	6	6	6	14	7.5	2	24	26	9	7	11	20	8.5	2	30	32			9	7	11	20	8.5	2	30	32	
12	16	1.33	21	25	6	6	6	14	7.5	2	24	28	9	7	11	20	8.5	2	30	34			10	8	12	22	9.5	2	32	38	
12	18	1.50	21	27	6	6	6	14	7.5	2	24	30	10	8	12	22	9.5	2	32	40			10	8	12	22	9.5	2	32	40	
12	20	1.67	21	29	6	6	6	14	7.5	2	24	32	10	8	12	22	9.5	2	32	44			10	8	12	22	9.5	2	32	44	
12	24	2.00	21	33	6	6	6	14	7.5	2	24	36	10	8	12	22	9.5	2	32	44			11	9	13	24	10.5	2	34	52	
12	30	2.50	21	39	7	6	7	15	7.5	2	26	44	11	9	13	24	10.5	2	34	58			11	9	13	24	10.5	2	34	58	
12	36	3.00	21	45	7	6	7	15	7.5	2	26	50	11	9	13	24	10.5	2	34	58			11	9	13	24	10.5	2	34	58	
14	14	1.36	23	23	6	6	6	14	7.5	2	26	26	9	7	11	20	8.5	2	32	32			9	7	11	20	8.5	2	32	32	
14	18	1.75	23	27	6	6	6	14	7.5	2	26	30	10	8	12	22	9.5	2	34	38			10	8	12	22	9.5	2	34	38	
14	22	2.14	23	31	7	6	7	15	7.5	2	28	36	11	9	13	24	10.5	2	36	44			11	9	13	24	10.5	2	36	44	
14	26	2.53	23	35	7	6	7	15	7.5	2	28	40	12	10	14	26	11.5	2	38	50			12	10	14	26	11.5	2	38	50	
14	28	2.72	23	37	7	6	7	15	7.5	2	28	42	12	10	14	26	11.5	2	38	52			12	10	14	26	11.5	2	38	52	
14	30	2.92	23	39	7	6	7	15	7.5	2	28	44	12	10	14	26	11.5	2	38	54			12	10	14	26	11.5	2	38	54	
14	36	3.50	23	45	8	6	8	16	7.5	2	30	52	13	11	15	28	12.5	2	40	62			13	11	15	28	12.5	2	40	62	
14	42	4.08	23	51	8	6	8	16	7.5	2	30	58	13	11	15	28	12.5	2	40	68			13	11	15	28	12.5	2	40	68	
16	16	1.78	25	25	6	6	6	14	7.5	2	28	28	10	8	12	22	9.5	2	36	36			10	8	12	22	9.5	2	36	36	
16	20	2.22	25	29	7	6	7	15	7.5	2	30	34	11	9	13	24	10.5	2	38	42			11	9	13	24	10.5	2	38	42	
16	24	2.67	25	33	7	6	7	15	7.5	2	30	38	12	10	14	26	11.5	2	40	48			12	10	14	26	11.5	2	40	48	
16	30	3.33	25	39	8	6	8	16	7.5	2	32	46	13	11	15	28	12.5	2	42	56			13	11	15	28	12.5	2	42	56	
16	36	4.00	25	45	8	6	8	16	7.5	2	32	52	14	12	16	30	13.5	2	44	64			14	12	16	30	13.5	2	44	64	
16	42	4.67	25	51	8	6	8	16	7.5	2	32	58	14	12	16	30	13.5	2	44	70			14	12	16	30	13.5	2	44	70	
16	48	5.33	25	57	8	6	8	16	7.5	2	32	64	14	12	16	30	13.5	2	44	76			14	12	16	30	13.5	2	44	76	
18	18	2.25	27	27	7	6	7	15	7.5	2	32	32	11	9	13	24	10.5	2	40	40			11	9	13	24	10.5	2	40	40	
18	24	3.00	27	33	8	6	8	16	7.5	2	34	40	13	11	15	28	12.5	2	44	50			13	11	15	28	12.5	2	44	50	
18	30	3.75	27	39	8	6	8	16	7.5	2	34	46	14	12	16	30	13.5	2	46	58			14	12	16	30	13.5	2	46	58	
18	36	4.50	27	45	8	6	8	16	7.5	2	34	52	14	12	16	30	13.5	2	46	64			14	12	16	30	13.5	2	46	64	
18	42	5.25	27	51	9	7	11	20	8.5	2	36	60	15	13	17	32	14.5	2	48	72			15	13	17	32	14.5	2	48	72	
18	48	6.00	27	57	9	7	11	20	8.5	2	36	66	16	14	18	34	15.5	2	50	80			16	14	18	34	15.5	2	50	80	
18	54	6.75	27	63	9	7	11	20	8.5	2	36	72	16	14	18	34	15.5	2	50	86			16	14	18	34	15.5	2	50	86	
20	20	2.78	29	29	7	6	7	15	7.5	2	34	34	12	10	14	26	11.5	2	44	44			12	10	14	26	11.5	2	44	44	
20	24	3.33	29	33	8	6	8	16	7.5	2	36	40	13	11	15	28	12.5	2	46	50			13	11	15	28	12.5	2	46	50	
20	30	4.17	29	39	8	6	8	16	7.5	2	36	46	14	12	16	30	13.5	2	48	58			14	12	16	30	13.5	2	48	58	
20	36	5.00	29	45	9	7	11	20	8.5	2	38	54	15	13	17	32	14.5	2	50	66			15	13	17	32	14.5	2	50	66	
20	40	5.56	29	49	9	7	11	20	8.5	2	38	58	16	14	18	34	15.5	2	52	72			16	14	18	34	15.5	2	52	72	
20	42	5.83	29	51	9	7	11	20	8.5	2	38	60	16	14	18	34	15.5	2	52	74			16	14	18	34	15.5	2	52	74	
20	48	6.67	29	57	10	8	12	22	9.5	2	40	68	17	15	19	36	16.5	2	54	82			17	15	19	36	16.5	2	54	82	
20	60	8.33	29	69	10	8	12	22	9.5	2	40	80	17	15	19	36	16.5	2	54	94			17	15	19	36	16.5	2	54	94	
22	22	3.36	31	31	8	6	8	16	7.5	2	38	38	13	11	15	28	12.5	2	48	48			13	11	15	28	12.5	2	48	48	
22	24	3.67	31	33	8	6	8	16	7.5	2	38	40	14	12	16	30	13.5	2	50	52			14	12	16	30	13.5	2	50	52	
22	26	3.97	31	35	8	6	8	16	7.5	2	38	42	14	12	16	30	13.5	2	50	54			14	12	16	30	13.5	2	50	54	
22	30	4.58	31	39	9	7	11	20	8.5	2	40	48	15	13	17	32	14.5	2	52	60			15	13	17	32	14.5	2	52	60	
22	36	5.50	31	45	9	7	11	20	8.5	2	40	54	16	14	18	34	15.5	2	54	68			16	14	18	34	15.5	2	54	68	
22	44	6.72	31	53	10	8	12	22	9.5	2	42	64	17	15	19	36	16.5	2	56	78			17	15	19	36	16.5	2	56	78	
22	48	7.33	31	57	10	8	12	22	9.5	2	42	68	18	15	20	37	17.0	2	58	84			18	15	20	37	17.0	2	58	84	
22	66	10.08	31	75	11	9	13	24	10.5	2	44	88	19	15	21	38	17.0	2	60	104			19	15	21	38	17.0	2	60	104	
24	24	4.00	33	33	8	6	8	16	7.5	2	40	40	14	12	16	30	13.5	2	52	52			14	12	16	30	13.5	2	52	52	
24	30	5.00	33	39	9	7	11	20	8.5	2	42	48	16	14	18	34	15.5	2	56	62			16	14	18	34	15.5	2	56	62	
24	36	6.00	33	45	10	8	12	22	9.5	2	44	56	17	15	19	36	16.5	2	58	70			17	15	19	36	16.5	2	58	70	
24	42	7.00	33	51	10	8	12	22	9.5	2	44	62	18	15	20	37	17.0	2	60	78			18	15	20	37	17.0	2	60	78	
24	48	8.00	33	57	10	8	12	22	9.5	2	44	68	18	15	20	37	17.0	2	60	84			18	15	20	37	17.0	2	60	84	

# WESTVENT HOOD SIZING CHART

		THROAT	O.D.	O.D.	WVR RELIEF HOODS								RELIEF	RELIEF	WVI INTAKE HOODS						INTAKE	INTAKE
		AREA	CURB	CURB									HOOD	HOOD							HOOD	HOOD
		SQ. FT.										CAP	CAP								CAP	CAP
A	B	C	D	E	F	G	H	J	K	W	L	E	F	G	H	J	K	W	L			
24	54	9.00	33	63	11	9	13	24	10.5	2	46	76	19	15	21	38	17.0	2	62	92		
24	72	12.00	33	81	11	9	13	24	10.5	2	46	94	20	15	22	39	17.0	2	64	112		
26	26	4.69	35	35	9	7	11	20	8.5	2	44	44	15	13	17	32	14.5	2	56	56		
26	52	9.39	35	61	11	9	13	24	10.5	2	48	74	20	15	22	39	17.0	2	66	92		
26	78	14.08	35	87	12	10	14	26	11.5	2	50	102	-	-	-	-	-	-	-	-	-	
28	28	5.44	37	37	9	7	11	20	8.5	2	46	46	16	14	18	34	15.5	2	60	60		
28	56	10.89	37	65	12	10	14	26	11.5	2	52	80	21	15	22	39	17.0	2	70	98		
28	84	16.33	37	93	13	11	15	28	12.5	2	54	110	-	-	-	-	-	-	-	-	-	
30	30	6.25	39	39	10	8	12	22	9.5	2	50	50	17	15	19	36	16.5	2	64	64		
30	36	7.50	39	45	11	9	13	24	10.5	2	52	58	19	15	21	38	17.0	2	68	74		
30	42	8.75	39	51	11	9	13	24	10.5	2	52	64	20	15	22	39	17.0	2	70	82		
30	48	10.00	39	57	12	10	14	26	11.5	2	54	72	21	15	22	39	17.0	2	72	90		
30	54	11.25	39	63	12	10	14	26	11.5	2	54	78	22	15	22	39	17.0	2	74	98		
30	60	12.50	39	69	12	10	14	26	11.5	2	54	84	22	15	22	39	17.0	2	74	104		
30	80	16.67	39	89	13	11	15	28	12.5	2	56	106	-	-	-	-	-	-	-	-	-	
30	90	18.75	39	99	14	12	16	30	13.5	2	58	118	-	-	-	-	-	-	-	-	-	
32	32	7.11	41	41	10	8	12	22	9.5	2	52	52	18	15	20	37	17.0	2	68	68		
32	64	14.22	41	73	13	11	15	28	12.5	2	58	90	24	15	22	39	17.0	2	80	112		
32	80	17.78	41	89	14	12	16	30	13.5	2	60	108	-	-	-	-	-	-	-	-	-	
34	34	8.03	43	43	11	9	13	24	10.5	2	56	56	19	15	21	38	17.0	2	72	72		
34	68	16.06	43	77	14	12	16	30	13.5	2	62	96	25	15	22	39	17.0	2	84	118		
34	80	18.89	43	89	14	12	16	30	13.5	2	62	108	-	-	-	-	-	-	-	-	-	
36	36	9.00	45	45	11	9	13	24	10.5	2	58	58	20	15	22	39	17.0	2	76	76		
36	42	10.50	45	51	12	10	14	26	11.5	2	60	66	22	15	22	39	17.0	2	80	86		
36	48	12.00	45	57	13	11	15	28	12.5	2	62	74	23	15	22	39	17.0	2	82	94		
36	54	13.50	45	63	13	11	15	28	12.5	2	62	80	24	15	22	39	17.0	2	84	102		
36	60	15.00	45	69	14	12	16	30	13.5	2	64	88	25	15	22	39	17.0	2	86	110		
36	72	18.00	45	81	14	12	16	30	13.5	2	64	100	-	-	-	-	-	-	-	-	-	
36	80	20.00	45	89	15	13	17	32	14.5	2	66	110	-	-	-	-	-	-	-	-	-	
40	40	11.11	49	49	12	10	14	26	11.5	2	64	64	22	15	22	39	17.0	2	84	84		
40	60	16.67	49	69	14	12	16	30	13.5	2	68	88	26	15	22	39	17.0	2	92	112		
40	72	20.00	49	81	15	13	17	32	14.5	2	70	102	-	-	-	-	-	-	-	-	-	
42	42	12.25	51	51	13	11	15	28	12.5	2	68	68	23	15	22	39	17.0	2	88	88		
42	48	14.00	51	57	14	12	16	30	13.5	2	70	76	25	15	22	39	17.0	2	92	98		
42	54	15.75	51	63	14	12	16	30	13.5	2	70	82	26	15	22	39	17.0	2	94	106		
42	60	17.50	51	69	15	13	17	32	14.5	2	72	90	27	15	22	39	17.0	2	96	114		
42	66	19.25	51	75	15	13	17	32	14.5	2	72	96	-	-	-	-	-	-	-	-	-	
42	72	21.00	51	81	16	14	18	34	15.5	2	74	104	-	-	-	-	-	-	-	-	-	
44	44	13.44	53	53	13	11	15	28	12.5	2	70	70	24	15	22	39	17.0	2	92	92		
44	66	20.17	53	75	16	14	18	34	15.5	2	76	98	-	-	-	-	-	-	-	-	-	
48	48	16.00	57	57	14	12	16	30	13.5	2	76	76	26	15	22	39	17.0	2	100	100		
48	54	18.00	57	63	15	13	17	32	14.5	2	78	84	28	15	22	39	17.0	2	104	110		
48	60	20.00	57	69	16	14	18	34	15.5	2	80	92	29	15	22	39	17.0	2	106	118		
48	66	22.00	57	75	16	14	18	34	15.5	2	80	98	-	-	-	-	-	-	-	-	-	
48	72	24.00	57	81	17	15	19	36	16.5	2	82	106	-	-	-	-	-	-	-	-	-	

WVI = 12"

MINIMUM RECOMMENDED CURB HEIGHT: WVR = 8"  
 OTHER SIZES UP TO 48" X 72" ARE AVAILABLE IN WVR, AND SOME WVI MODELS  
 FOR LARGER SIZES, PLEASE CONTACT OUR FACTORY FOR MSR & MSI MODELS